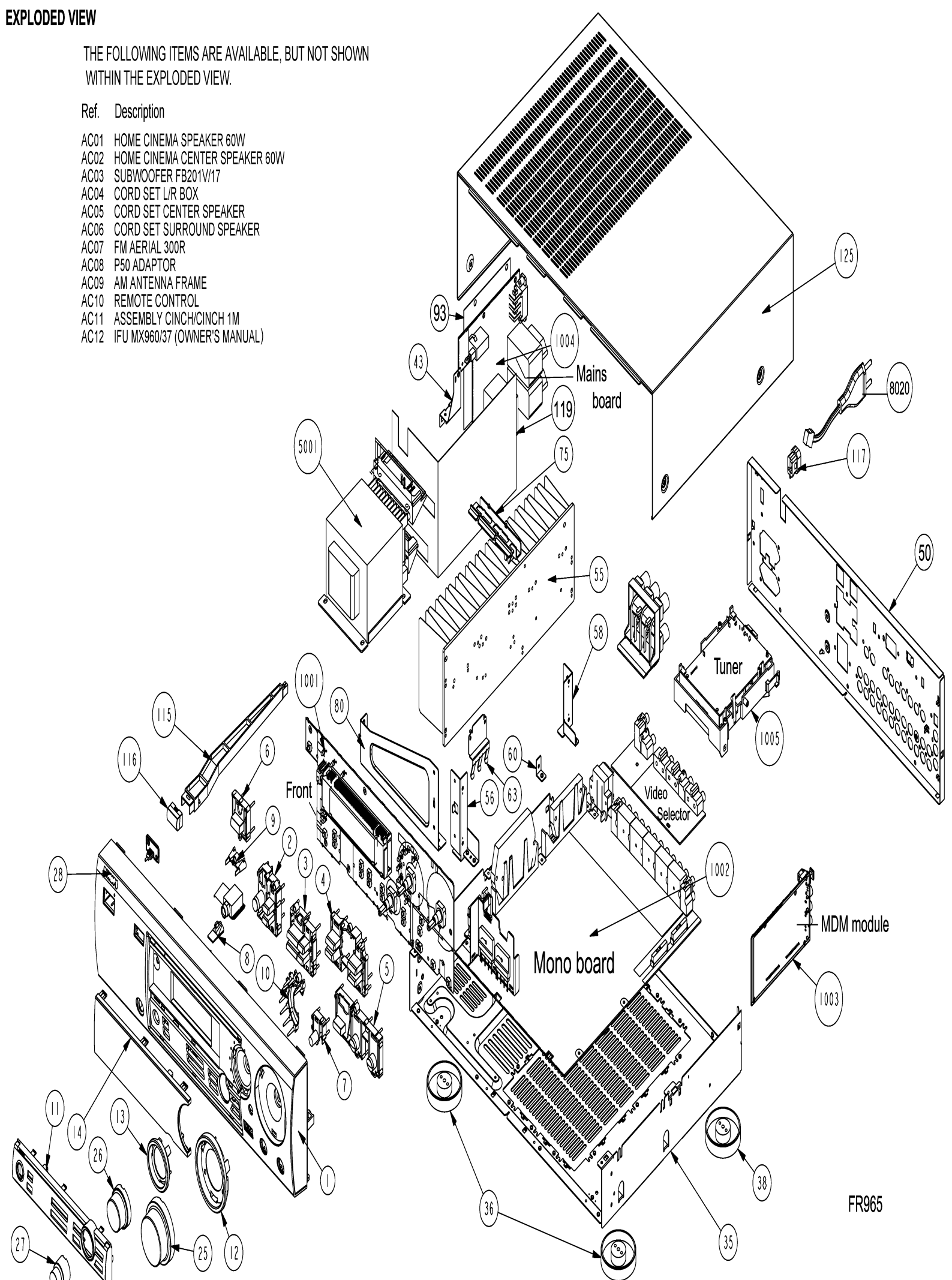


EXPLODED VIEW

THE FOLLOWING ITEMS ARE AVAILABLE, BUT NOT SHOWN WITHIN THE EXPLODED VIEW.

Ref. Description

- AC01 HOME CINEMA SPEAKER 60W
- AC02 HOME CINEMA CENTER SPEAKER 60W
- AC03 SUBWOOFER FB201V/17
- AC04 CORD SET L/R BOX
- AC05 CORD SET CENTER SPEAKER
- AC06 CORD SET SURROUND SPEAKER
- AC07 FM AERIAL 300R
- AC08 P50 ADAPTOR
- AC09 AM ANTENNA FRAME
- AC10 REMOTE CONTROL
- AC11 ASSEMBLY CINCH/CINCH 1M
- AC12 IFU MX960/37 (OWNER'S MANUAL)



FR965

SCALE 0.250

Note: Only the parts mentioned in this list are normal service parts.

GENERAL INFORMATION

Manual 1962 Covering the FR963DHT (FR963/17), FR965DHT (FR965/17), MX955DHT (MX955D/37), MX960DHT (MX960D/37), and MX970DHT (MX970D/37) Digital A/V Surround Receivers

Display Product View

SYSTEM INFORMATION

Receiver	Front speaker	Center Box	Surround Box	Subwoofer
MX 960D/37 includes :				
FR965/17	2 x Home Cinema Speaker 60W	Home Cinema Center Speaker 50W	2 x Home Cinema Speaker 60W	FB201V/17
MX 955D/37 includes :				
FR965/17	2 x Home Cinema Speaker 60W	Home Cinema Center Speaker 50W	2 x Home Cinema Speaker 60W	SW090/17 3139 118 78670
MX 970D/37 includes :				
FR963/17	MX970FS/17 9965 000 11850	MX970CS/17 9965 000 11852	MX970RS/17 9965 000 11854	FB201V/17

Location Of Printed Circuit Boards

Display Circuit Board Location Guide

Specifications

Display System Specifications

Service Tools

Audio Signals Test Disc 1.....4822 397 30184

AVAILABLE ESD PROTECTION EQUIPMENT :

Anti-static table mat large 1200x650x1.25mm	4822 466 10953
Small 600x650x1.25mm	4822 466 10958
Anti-static wristband	4822 395 10223
Connection box (3 press stud connections, 1M)	4822 320 11307

Extendible cable (2m, 2M , to connect wristband to connection box)	4822 320 11305
Connecting cable (3m, 2M , to connect table mat to connection box)	4822 320 11306
Earth cable (1M , to connect any product to mat or to connection box)	4822 320 11308
KIT ESD3 (combining all 6 prior products - small table mat)	4822 310 10671
Wristband tester	4822 344 13999

Measurement Setups

Display Tuner FM Setup

Display Tuner AM Setup

Safety/ESD Warning Notices:

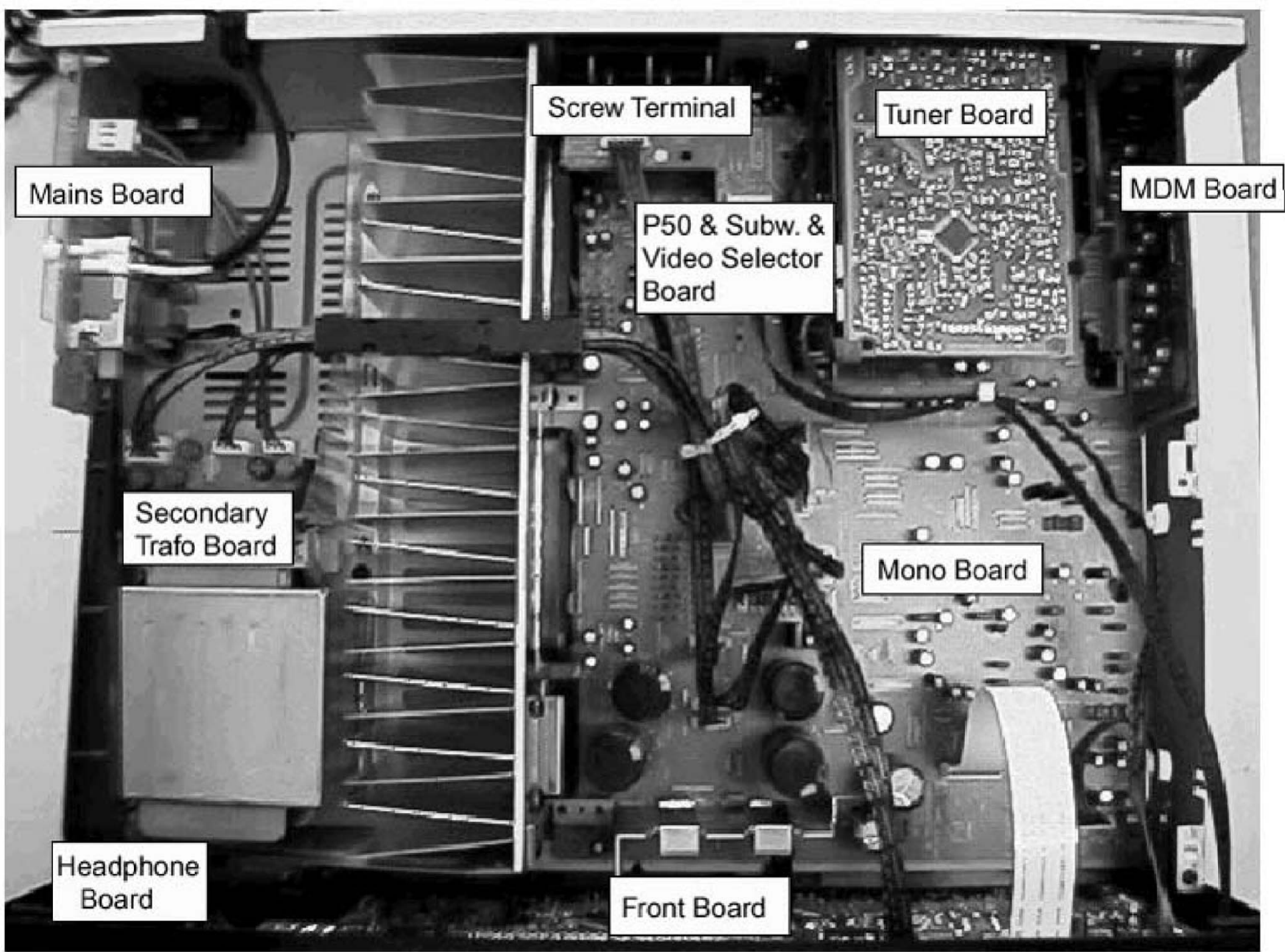
Display Safety/ESD Warning Notices

Handling Chip Type (SMD) Components

Display Chip Handling Guide

Abbreviations

Display Abbreviation List



Mains Board

Screw Terminal

Tuner Board

MDM Board

P50 & Subw. &
Video Selector
Board

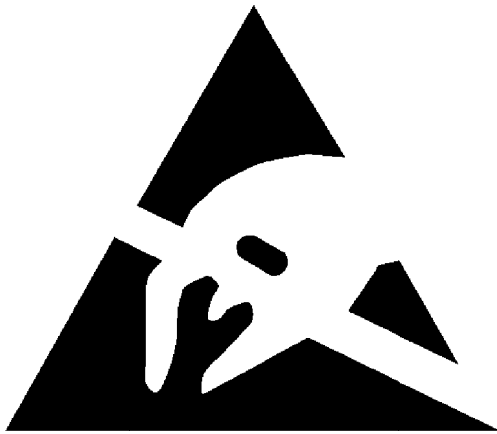
Secondary
Trafo Board

Mono Board

Headphone
Board

Front Board

ESD



WARNING

All ICs and many other semiconductors are susceptible to electrostatic discharges (ESD). Careless handling during repair can reduce life drastically.

When repairing, make sure that you are connected with the same potential as the mass of the set via a wristband with resistance. Keep components and tools at this potential.

SAFETY



Safety regulations require that the set be restored to its original condition and that parts which are identical with those specified be used.

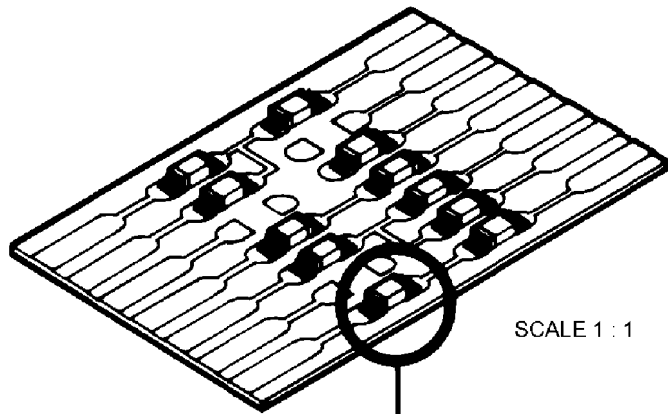
Safety components are marked by the symbol 

**CLASS 1
LASER PRODUCT**

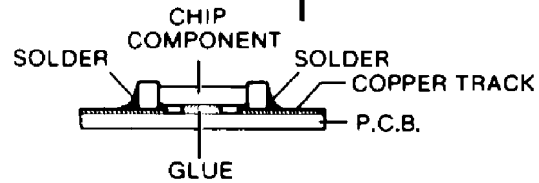
**DANGER: Invisible laser radiation when open.
AVOID DIRECT EXPOSURE TO BEAM.**

HANDLING CHIP COMPONENTS

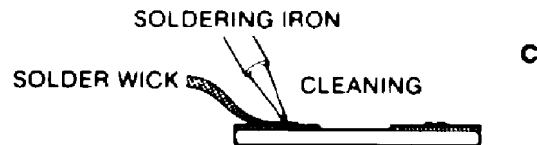
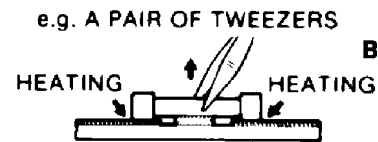
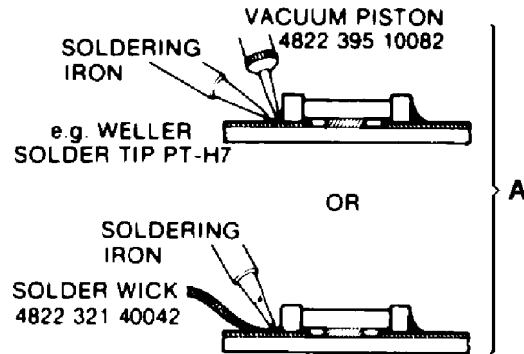
GENERAL



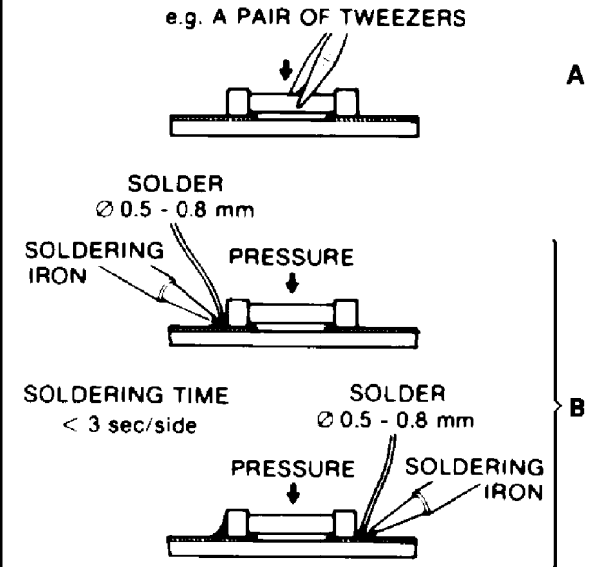
SCALE 1:1



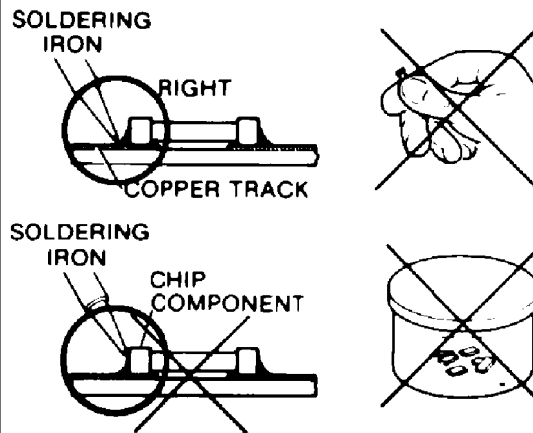
DISMOUNTING



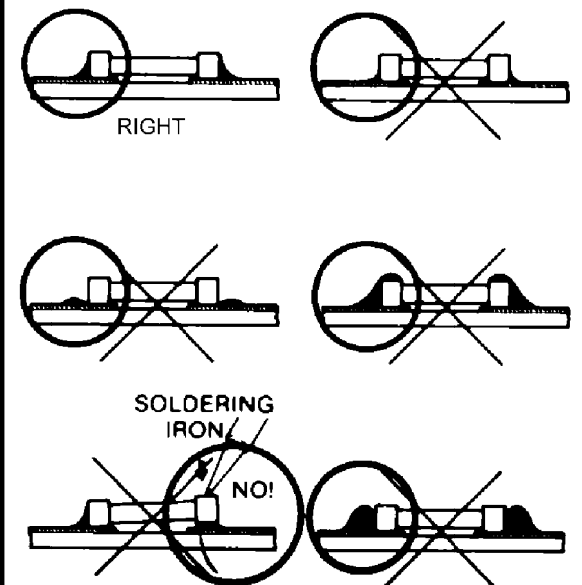
MOUNTING



PRECAUTIONS

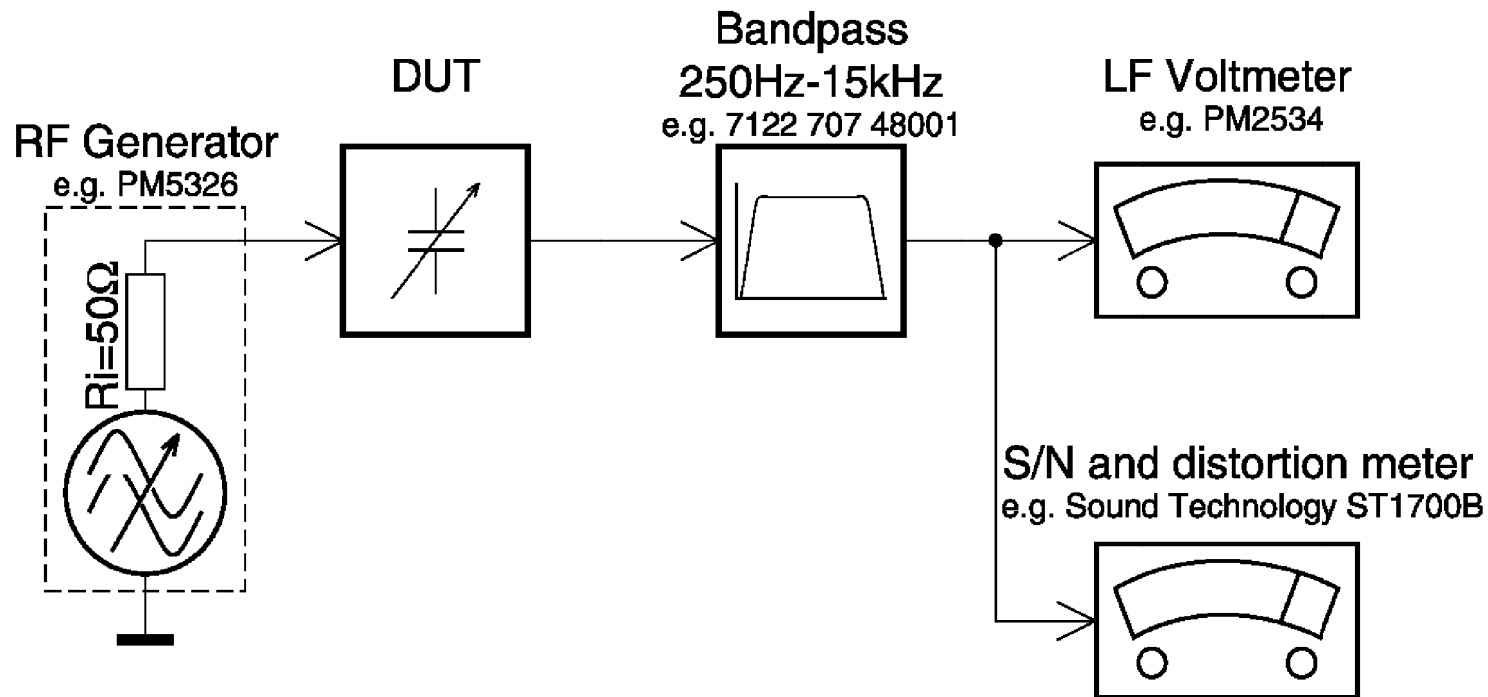


EXAMPLES



MEASUREMENT SETUP

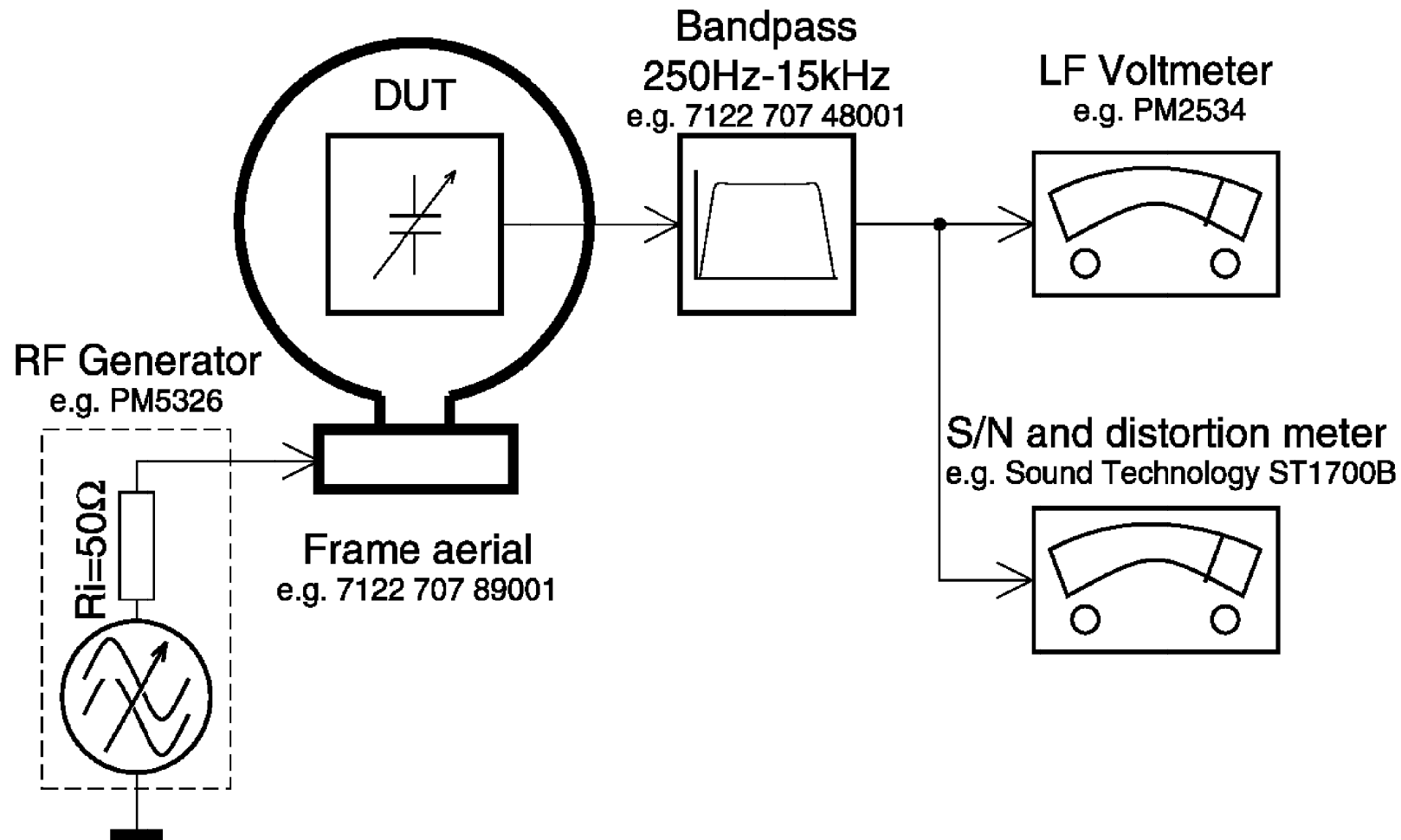
Tuner FM



Use a bandpass filter to eliminate hum (50Hz, 100Hz) and disturbance from the pilot tone (19kHz, 38kHz).

MEASUREMENT SETUP

Tuner AM (MW,LW)



To avoid atmospheric interference all AM-measurements have to be carried out in a Faraday's cage. Use a bandpass filter (or at least a high pass filter with 250Hz) to eliminate hum (50Hz, 100Hz).

SPECIFICATION FR965 /17

General

Mains voltage	: 120V
Mains frequency	: 60Hz
Power consumption	: ≤ 2W at stby
Dimension. wxhxd	: 435x138x350 mm
Remote control	: Multibrand/Universal

Amplifier

Output power	
Stereo mode (L+R)	: 2x50W FTC (40Hz-20kHz, 0,7%THD, 6Ω)

Surround mode	
L + R	: 2x60W (1kHz, 0,7%THD, 6Ω)
Center	: 60W (1kHz, 0,7%THD, 6Ω)
Surround Left+Right	: 2x60W (1kHz, 0,7%THD, 6Ω)

Distortion (5W)	
1kHz	: ≤ 0,05%
40Hz - 20kHz	: ≤ 0,2%

Headphone	: 6,3mm stereo jack with switch
Output level	: 3V EMF, 60Ω

Crosstalk between source	—1kHz	: ≤ -65dB
(1W)	250Hz – 10kHz	: ≤ -60dB

Crosstalk between channels	-1kHz	: ≤ -55dB
(1W)	250Hz – 10kHz	: ≤ -50dB

Frequency response	: ≤ 10Hz – ≥ 30kHz (-1dB)
--------------------	---------------------------

Power stage protection	: Shortcircuit
	: DC (Vout ≥ 10V) for ±1sec
Temperature	: Transformer (≥ 140° Celcius)
	: Heatsink (≥ 140° Celcius)

Audio Selector

Analog Input sensitivity	
Phono	: 5mV impedance 47kΩ/220pf
CD	: 250mV impedance ≥ 47kΩ
CDR/TAPE	: 250mV impedance ≥ 47kΩ
VCR	: 250mV impedance ≥ 47kΩ
TV	: 250mV impedance ≥ 47kΩ
SAT	: 250mV impedance ≥ 47kΩ
6 CH/DVD	: 250mV impedance ≥ 47kΩ

Output level	
CDR/TAPE	: 250mV impedance ≤ 1kΩ
VCR	: 250mV impedance ≤ 1kΩ

Output level (variable)	
Subwoofer pre-out	: 800mV impedance ≤ 1kΩ
Center pre-out	: 800mV impedance ≤ 1kΩ

Digital Selector

Input	: 2 x cinch
	: 1 x optical
Output	: 1 x cinch

Video Selector - CVBS

Input sensitivity	
DVD/VCR/TV	: 1 Vpp impedance 75Ω
Output level	
Monitor/VCR	: 1 Vpp impedance 75Ω
Frequency response	: ≤ 50Hz → ≥ 6MHz

Tone controle

Loudness	
(volume ≤ -30dB Ref: 1kHz=0dB)	: 100Hz +6 dB
	: 10kHz +2,5 dB

Tone control (Ref: 1kHz=0dB)	
	: Bass 100Hz -9dB → +9dB
	: Treble 10kHz -9dB → +9dB

DSC settings		100Hz	1kHz	10kHz
Personal	dB	0	0	0
Movie	dB	+ 4	+2	+4
Speech	dB	- 4	+1	- 2
Music	dB	+ 4	- 1	+2
Multimedia	dB	+ 7	+3	+6

Multi Channel Decoder - MDM98

MPEG5.1 / MPEG 7.1 (7.1 downmix to 5.1)
Dolby Digital (AC-3)
Linear PCM
Automatic audio/data type detection (AC-3,MPEG-2,PCM)
Dolby Pro Logic
MPEG-2 dual mono channel selection I/II
MPEG-2 dual stereo channel selection I/II
3D Surround (422/423) (522/523)
Virtual MPEG Digital (522/523)
Digital Bass Management
Parallel Stereo Downmix
Four Stereo (224)
Volume Control
Noise Generator (test tone)
Surround mode selector
Delay Center and Surround Left , Surround Right

Tuner - (ECO5)

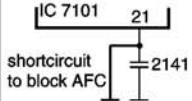
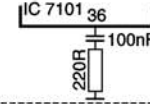
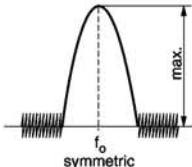
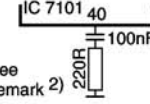
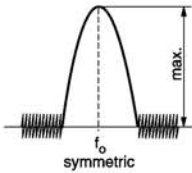
FM	
Tuning range	: 87.5 – 108MHz
Grid	: 100kHz
IF frequency	: 10.7MHz ±25kHz
Aerial input	: 300 Ω clickfit
Sensitivity at 26dB S/N	: ≤ 2μV
Selectivity at 300kHz	: ≥ 55dB
Image rejection	: ≥ 48dB
Distortion at RF=1mV,dev.75kHz	: ≤ 0,9%
-3dB Limiting point	: ≤ 2μV
Crosstalk at RF=1mV,dev.40kHz	: ≥ 27dB

MW	
Tuning range	: 530 - 1700kHz
Grid	: 10kHz
IF frequency	: 450kHz ±1kHz
Aerial input	: Frame aerial
Sensitivity at 26dB S/N	: ≤ 3,5mV/m
Selectivity at 9kHz bandwidth	: ≥ 18dB
IF rejection	: ≥ 64dB
Image rejection	: ≥ 28dB
Distortion at RF=50mV,m=80%	: ≤ 3%

ABBREVIATIONS

A		P	
ac 0VA	AC 0 Voltage	p gnd	P50 ground
ac 10VB	AC 10 Voltage	p p50	Cinema link P50 code
ac 110VB	AC 110 Voltage	S	
ac 120VB	AC 120 Voltage	s gnd	Surround ground
ac gnd	AC ground	sofac scl	Sofac I ² C clock
ac h1	AC high voltage 1	sofac1 sda1	Sofac 1 I ² C data1
ac h2	AC high voltage 2	sofac2 sda2	Sofac 2 I ² C data2
ac l1	AC low voltage 1	ss ce	Source selector chipenable
ac l2	AC low voltage 2	ss clk	Source selector clock
ac1	AC voltage 1	ss data	Source selector data
ac2	AC voltage 2	surr pre-out	Surround pre-out
ac3	AC voltage 3	T	
amp lr on	Amplifier Left - Right On	tu clk	Tuner clock
amp mute c s	Amplifier mute center surround	tu da	Tuner data
amp mute c s sub	Amplifier mute center surround subwoofer	tu en	Tuner enable
amp mute lr	Amplifier mute Left - Right	tu gnd	Tuner ground
amp pd	Amplifier power down	tu l	Tuner Left
amp prot	Amplifier protection	tu r	Tuner Right
amp s on	Amplifier surround On	tu rds	Tuner RDS
amp stby	Amplifier Standby	tu stereo	Tuner stereo
av gnd	Audio ground	V	
av l	Audio Left	v gnd	Video ground
av r	Audio Right	v scl	Video I ² C clock
A/V	Audio/Video	v sda	Video I ² C data
F		v sig	Video signal
f1	Filament 1	v sub sur	Video subwoofer surround
f2	Filament 2	G	
fmute	Fast mute	gnd d	Ground digital
G		gnd s	Ground signal
H		L	
hp gnd	Headphone ground	ls c	Loudspeaker Center
hp l	Headphone Left	ls gnd	Loudspeaker ground
hp on	Headphone On	ls l	Loudspeaker Left
hp r	Headphone Right	ls r	Loudspeaker Right
hst	Heatsink temperature	M	
L		mdm	<u>M</u> ulti channel <u>D</u> ecoding <u>M</u> odule
ls c	Loudspeaker Center	mdm c out	— Center out
ls gnd	Loudspeaker ground	mdm gnd	— ground
ls l	Loudspeaker Left	mdm l dmix	— Downmix Left
ls r	Loudspeaker Right	mdm l in	— Left in
M		mdm l out	— Left out
mdm	<u>M</u> ulti channel <u>D</u> ecoding <u>M</u> odule	mdm r dmix	— Downmix Right
mdm c out	— Center out	mdm r in	— Right in
mdm gnd	— ground	mdm r out	— Right out
mdm l dmix	— Downmix Left	mdm req	— request
mdm l in	— Left in	mdm rst	— reset
mdm l out	— Left out	mdm scl	— I ² C clock
mdm r dmix	— Downmix Right	mdm sda	— I ² C data
mdm r in	— Right in	mdm sl out	— surround Left out
mdm r out	— Right out	mdm sr out	— surround Right out
mdm req	— request	mdm sub out	— subwoofer out
mdm rst	— reset	mfd	Mains failure detection
mdm scl	— I ² C clock		
mdm sda	— I ² C data		
mdm sl out	— surround Left out		
mdm sr out	— surround Right out		
mdm sub out	— subwoofer out		
mfd	Mains failure detection		

TUNER ADJUSTMENT TABLE (ECO5 FM/MW- and FM/MW/LW - versions with AM-frame aerial)

Waverange	Input frequency	Input	Tuned to	Adjust	Output	Scope/Voltmeter
<i>VARICAP ALIGNMENT</i>						
FM 87.5 - 108MHz (65.81 - 74, 87.5 - 108MHz)			108MHz	5130	◇ 1	8V ±0.2V
			87.5MHz (65.81MHz)	check		4.3V ±0.5V (1.2V ±0.5V)
MW FM/AM-version, 10kHz grid 530 - 1700kHz			1700kHz	5123		8V ±0.2V
			530kHz	check		1.1V ±0.4V
FM/MW-version, 9kHz grid 531 - 1602kHz			1602kHz	5123		6.9V ±0.2V
			531kHz	check		1.1V ±0.4V
LW 153 - 279kHz			279kHz	5122		8V ±0.2V
			153kHz	check		1.1V ±0.4V
MW FM/MW/LW- version, 9kHz grid 531 - 1602kHz			1602kHz	5123	8V ±0.2V	
			531kHz	check	1.1V ±0.4V	
<i>FM IF</i>						
FM	10.7MHz, 50mV continuous wave	◇ F		5119	◇ 2	0 ± 3 mV DC
<i>FM RF</i>						
FM 87.5 - 108MHz (65.81 - 74, 87.5 - 108MHz)	108MHz	◇ A	108MHz	2155	◇ 4	MAX
	87.5MHz (65.81MHz)	mod=1kHz $\Delta f = \pm 22.5\text{kHz}$	87.5MHz (65.81MHz)	5131		
<i>VCO</i>						
FM	98MHz, 1mV continuous wave	◇ A	98MHz	3142	◇ 3	152kHz ±1kHz ¹⁾
<i>AM IF</i>						
MW	450kHz connect pin 6 of IC 7101 (AM Osc.) with short wire to ground (pin 4)	◇ C		5111	◇ 4	
				5112		
AM AFC MW		◇ C		5114	◇ 2	0 ± 2 mV DC
<i>AM RF ³⁾</i>						
MW ⁴⁾ FM/MW/LW- and FM/MW-version (9kHz grid) 531 - 1602kHz	1494kHz	◇ B	1494kHz	2106	◇ 4	
	558kHz		558kHz	5102		
LW	198kHz		198kHz	5103		
MW FM/AM-version, 10kHz grid 530 - 1700kHz	1500kHz		$\Delta f = \pm 30\text{kHz}$ V_{RF} as low as possible	1500kHz		
	560kHz	560kHz	5102			

Use service test program. By selecting the TUNER TEST test frequencies will be stored as preset frequencies automatically.

ECO5, discr. coil, 090797

¹⁾ If sensitivity of frequency counter is too low adjust to max. channel separation (input signal: stereo left 90% + 9%, adjust output on right channel to minimum)

²⁾ RC network serves for damping the IF-filter while adjusting the other one.

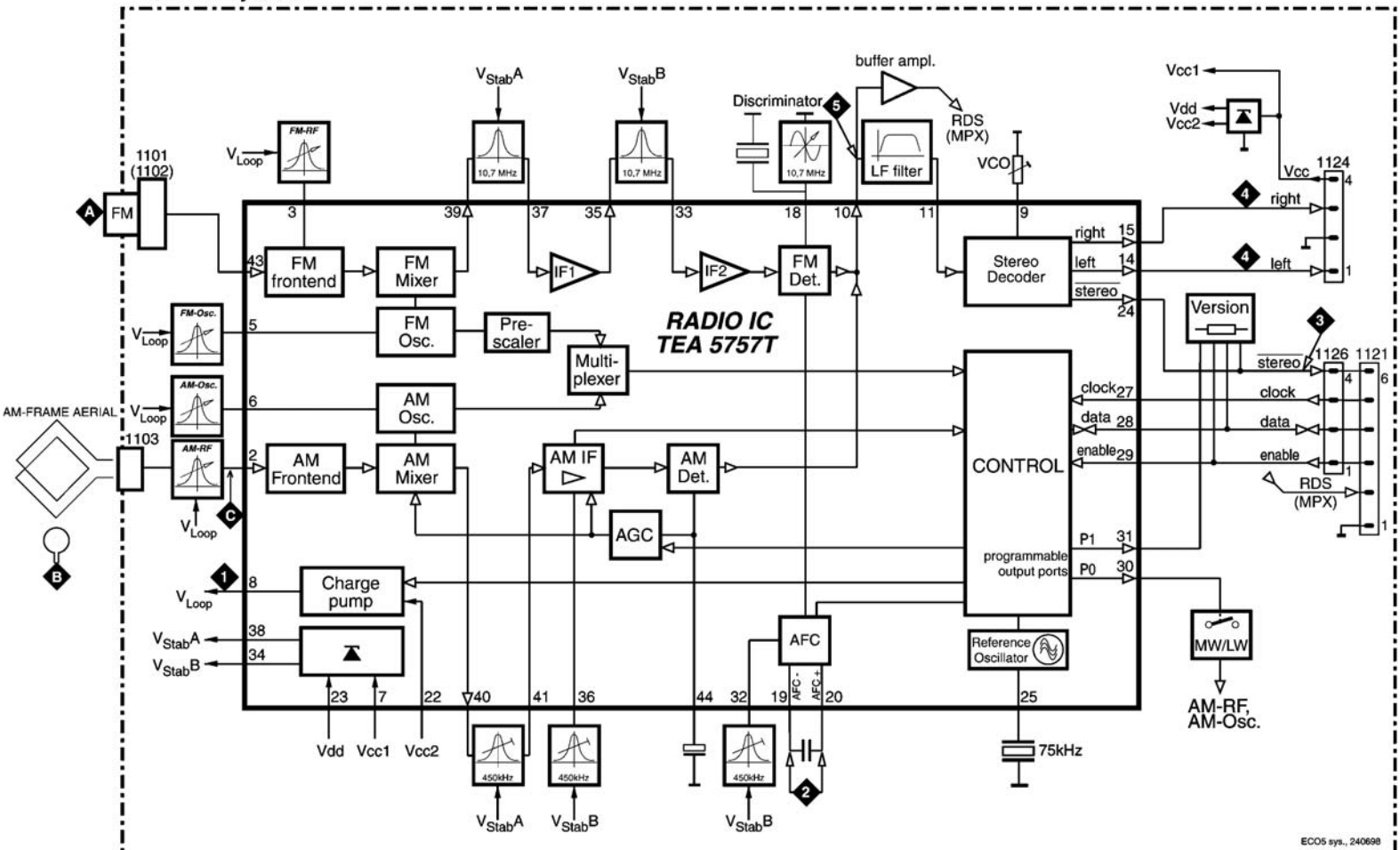
³⁾ For AM RF adjustments the original frame antenna has to be used !

⁴⁾ MW has to be aligned before LW.

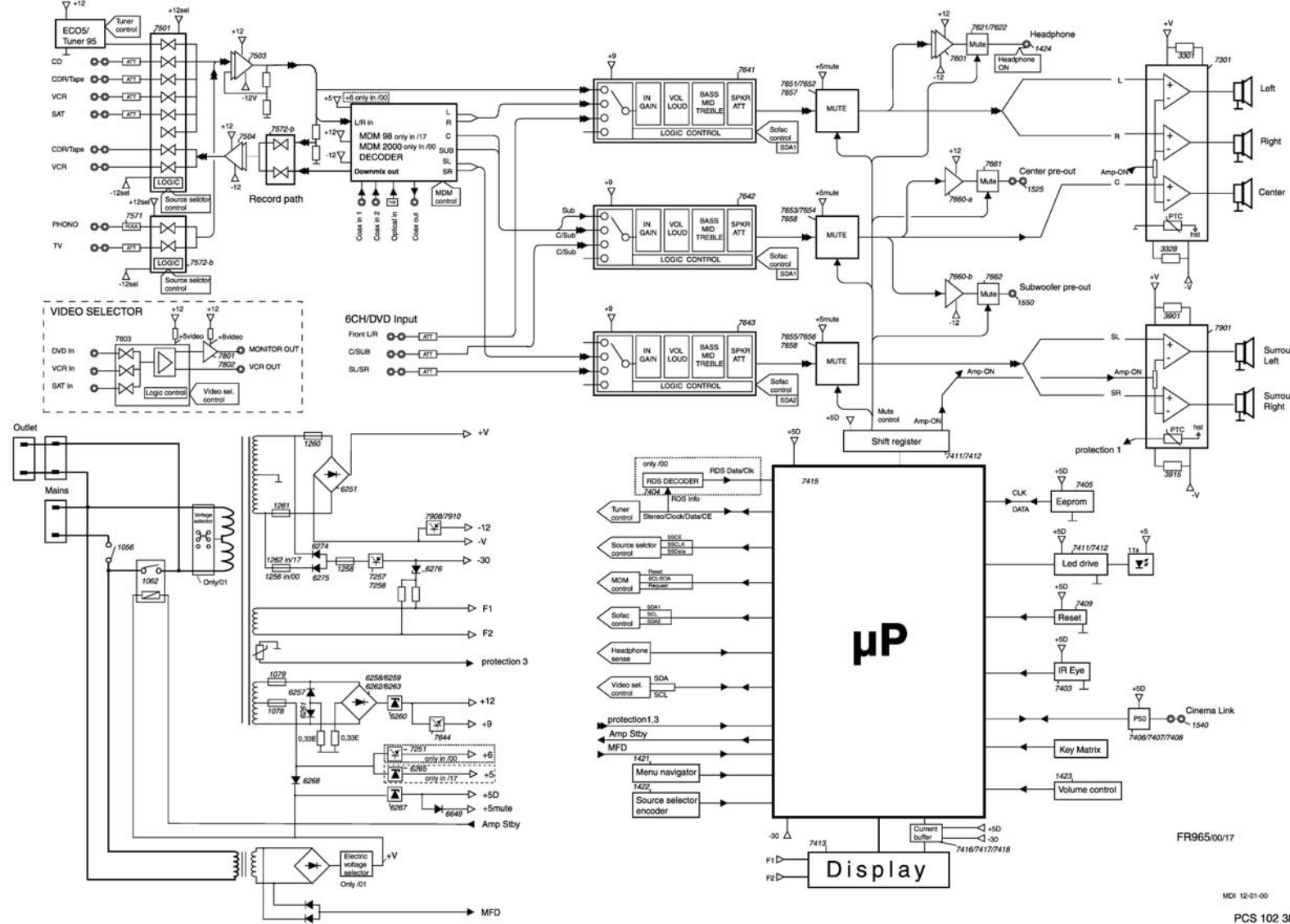
↑ Repeat

TUNER BOARD

ECO 5 systems



BLOCKDIAGRAM

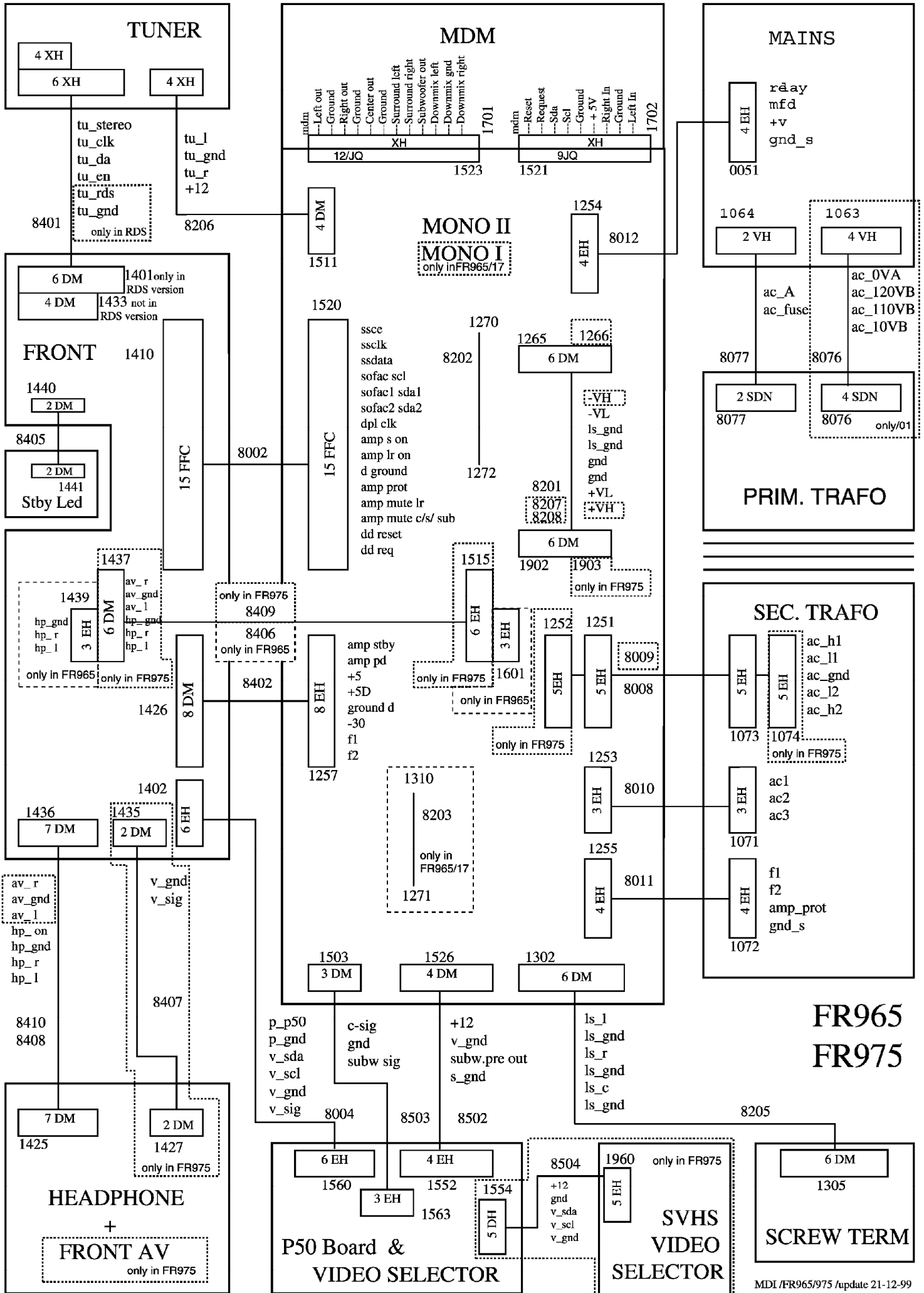


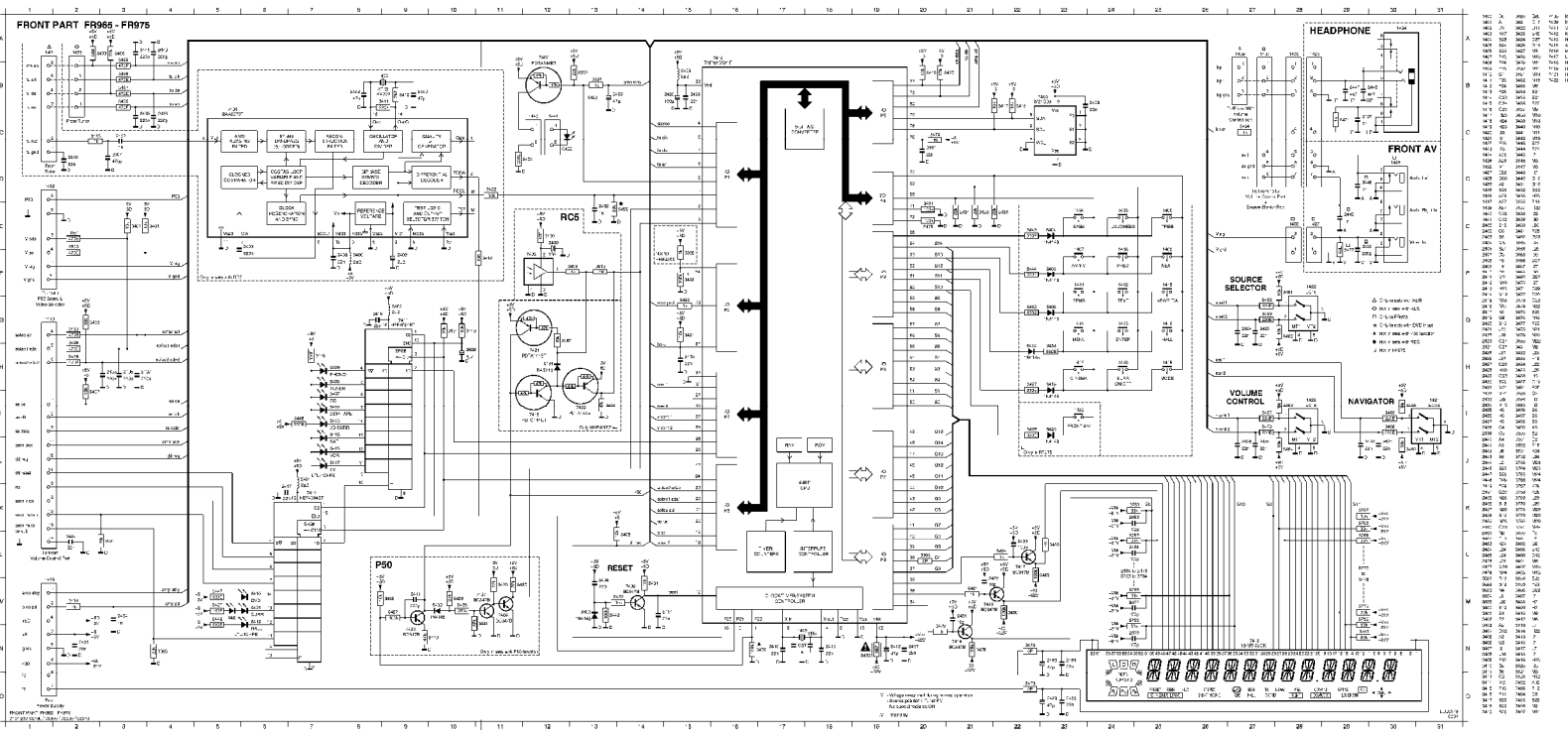
FR965/00/17

MDI 12-01-00

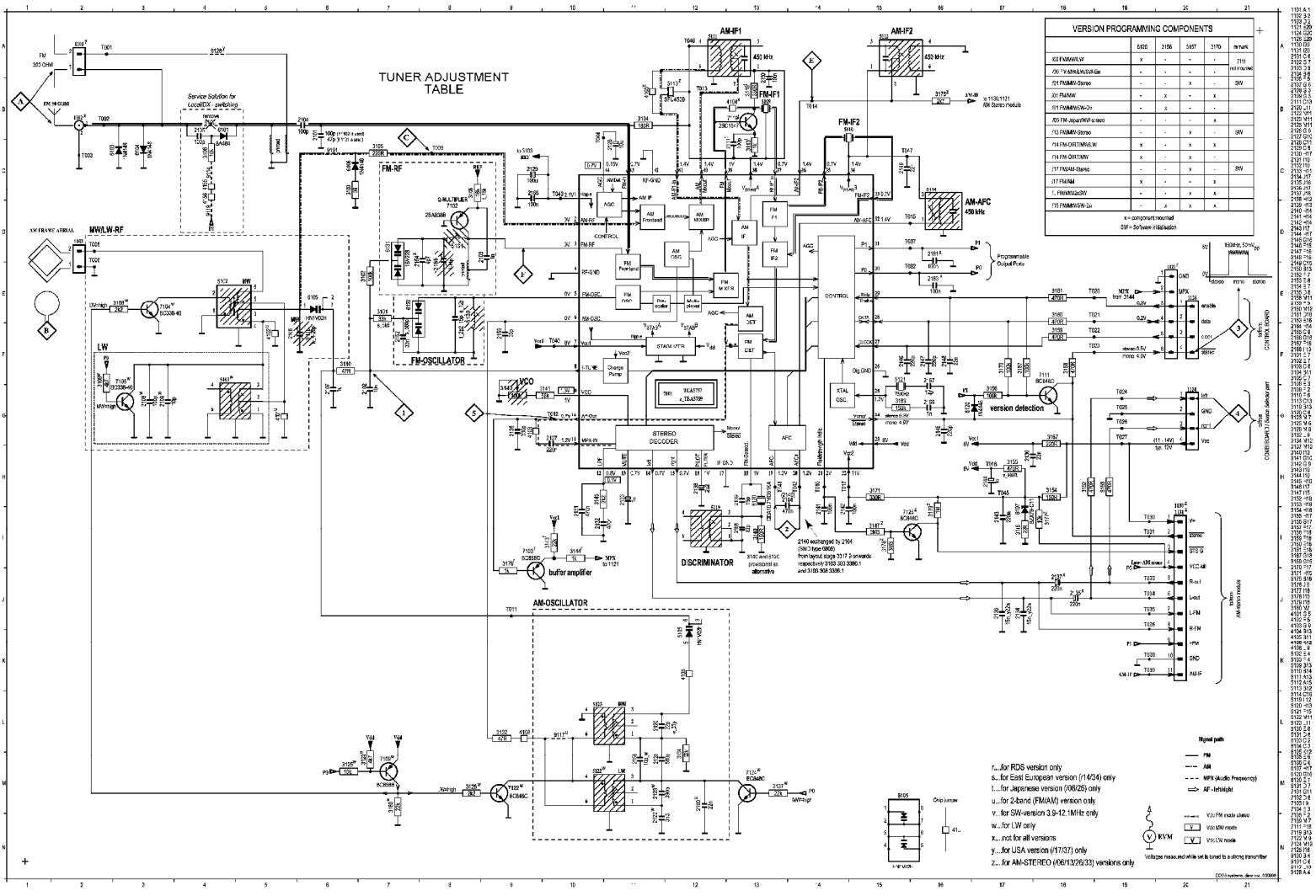
PCS 102 381

WIRING DIAGRAM





TUNER BOARD ECO5 / Systems



BLOCK-DIAGRAM

Note: No Schematic is provided here as this Circuit Board Assembly is considered to be a "non-repairable / replace only" type assembly. Individual parts are limited, refer to the PCB Overlay.

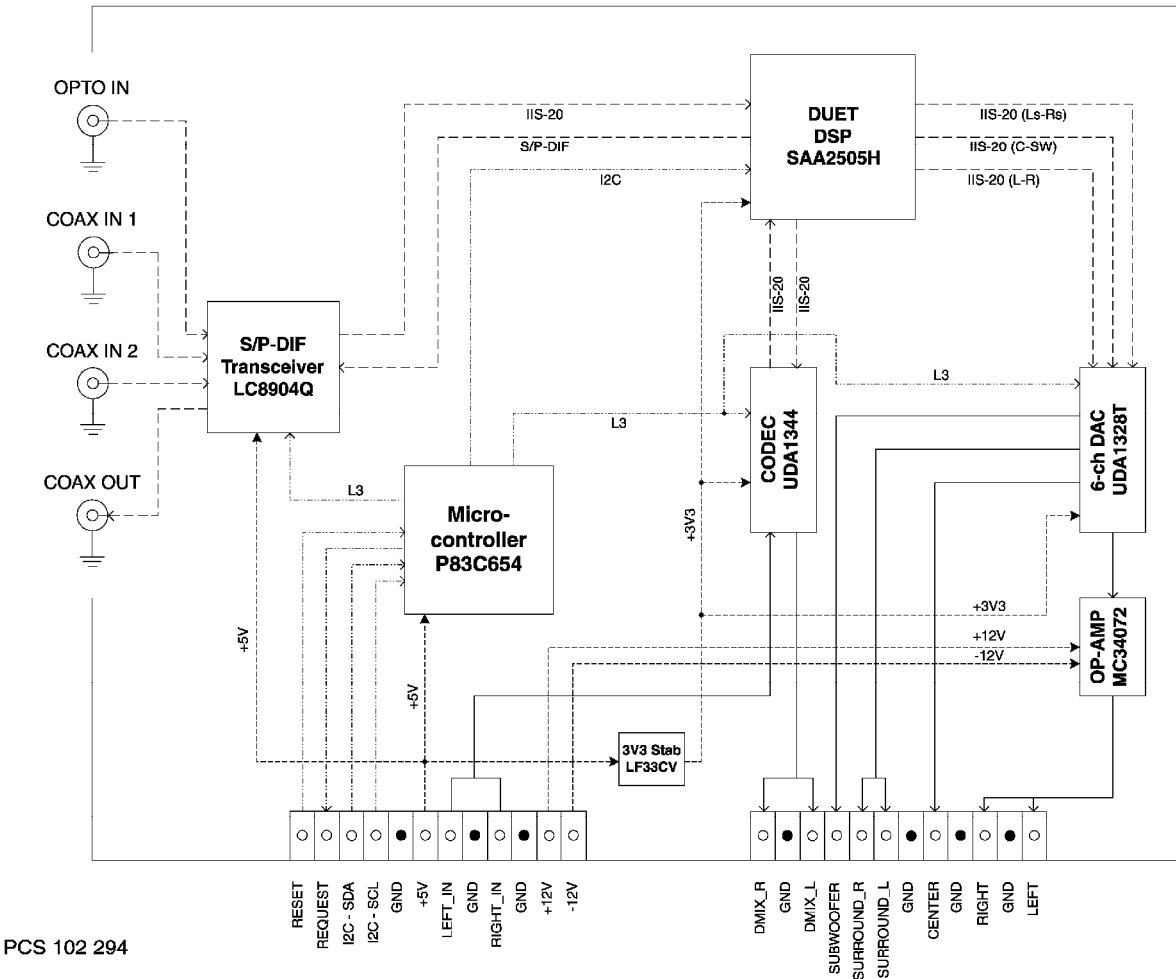
MULTI-CHANNEL DECODING MODULE '98

Signals

- > Control
- > Digital Audio
- > Analog Audio
- > Supply

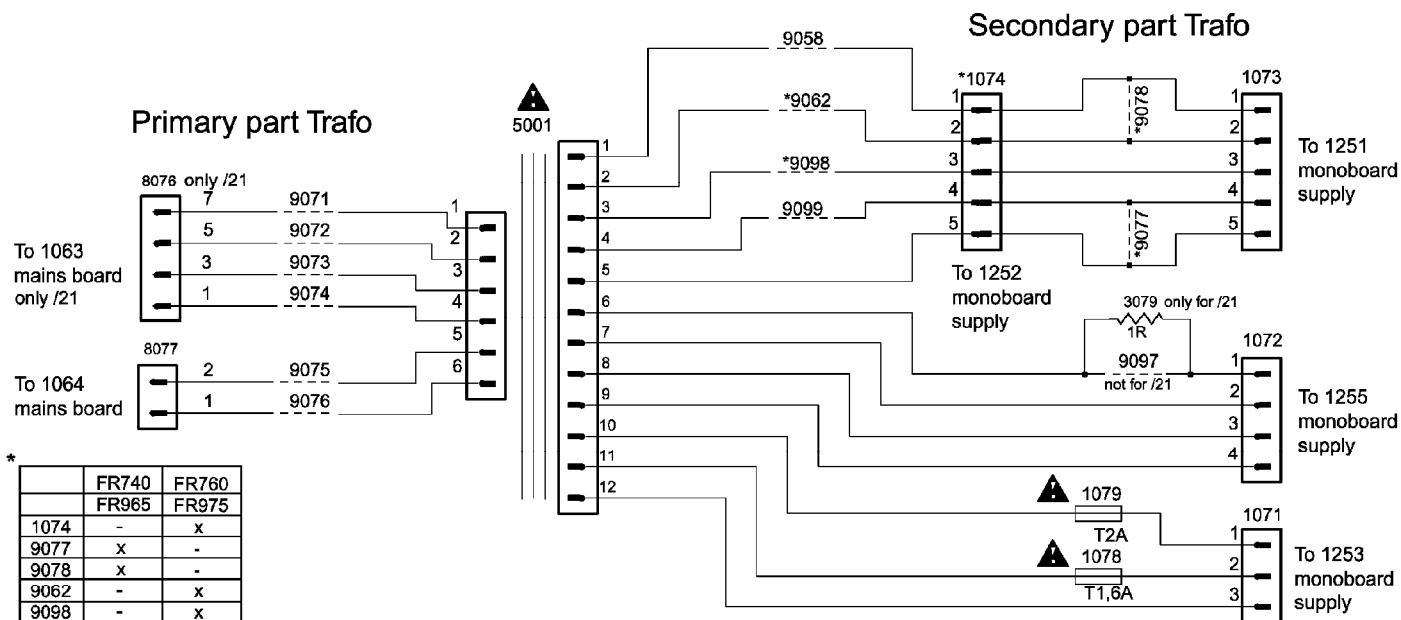
Terms

- DUET: Philips Dual Core DSP
- DSP: Digital Signal Processor
- DAC: Digital to Analog Converter
- ADC: Analog to Digital Converter
- CODEC: Combined ADC and DAC
- S/P-DIF: Sony/Philips Digital Interface
- Transceiver: Transmitter/Receiver
- IIS-20: Inter-IC Sound (20 bit)
- I2C: Inter-IC Communication
- L3 : 3-line Communication
- OP-AMP: Operational Amplifier
- Stab: Stabiliser
- DMIX: Downmix
- DMIX: Optical Connector
- COAX: Cinch Connector



PCS 102 294

MAINS TRAF0 PART

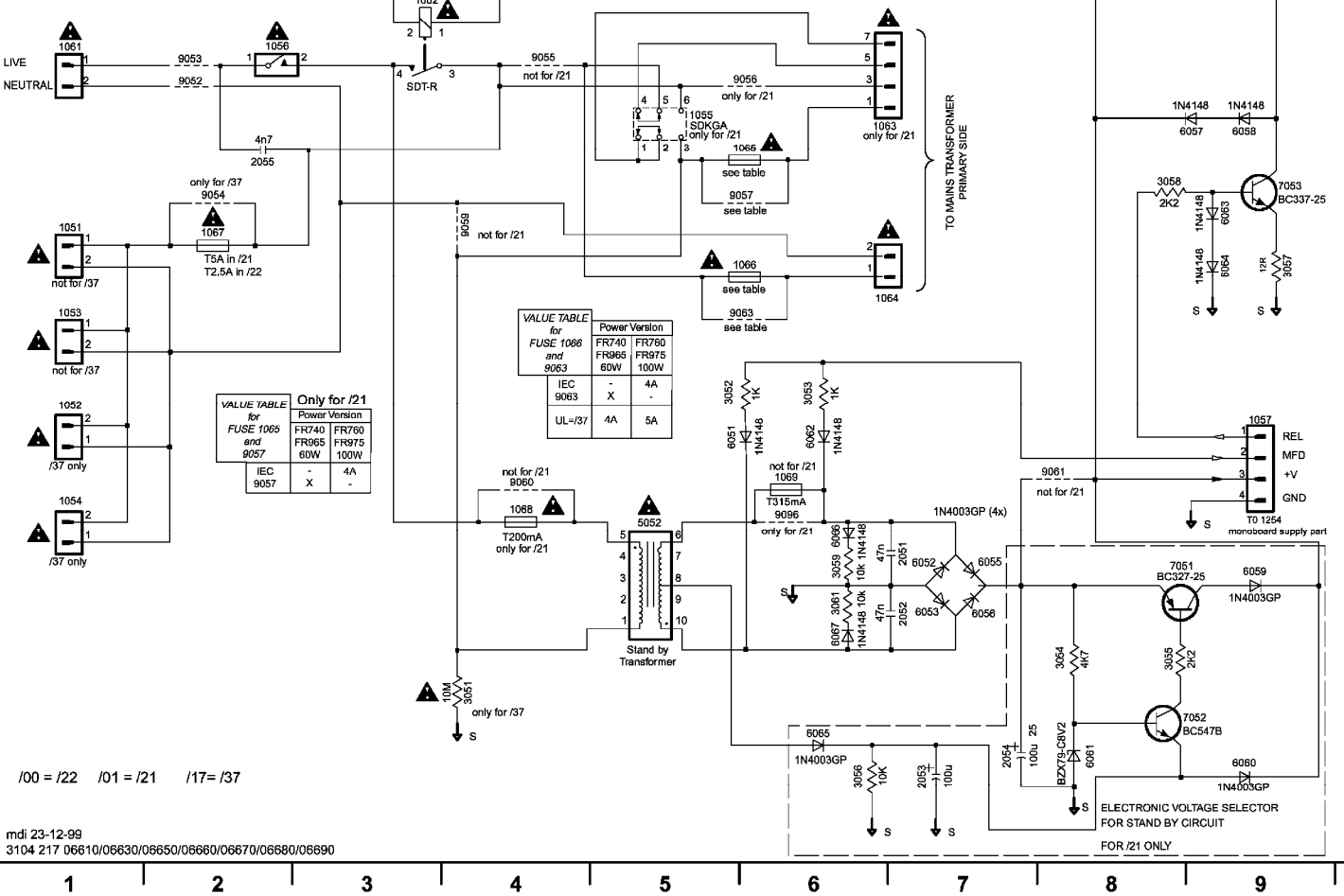


*

	FR740	FR760
	FR965	FR975
1074	-	x
9077	x	-
9078	x	-
9062	-	x
9098	-	x

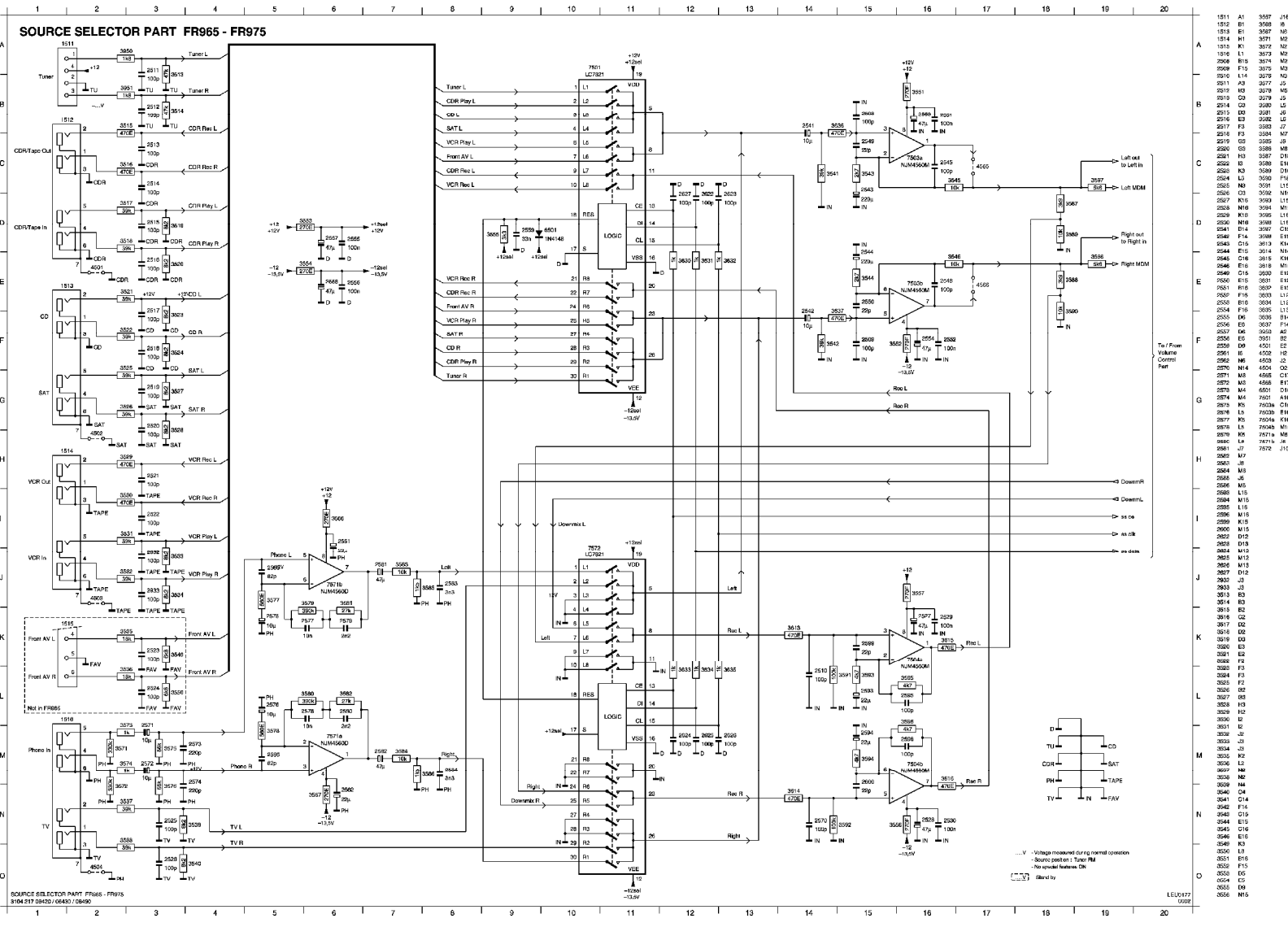
/00 = /22 /01= /21 /17= /37

MAINS BOARD CIRCUIT DIAGRAM

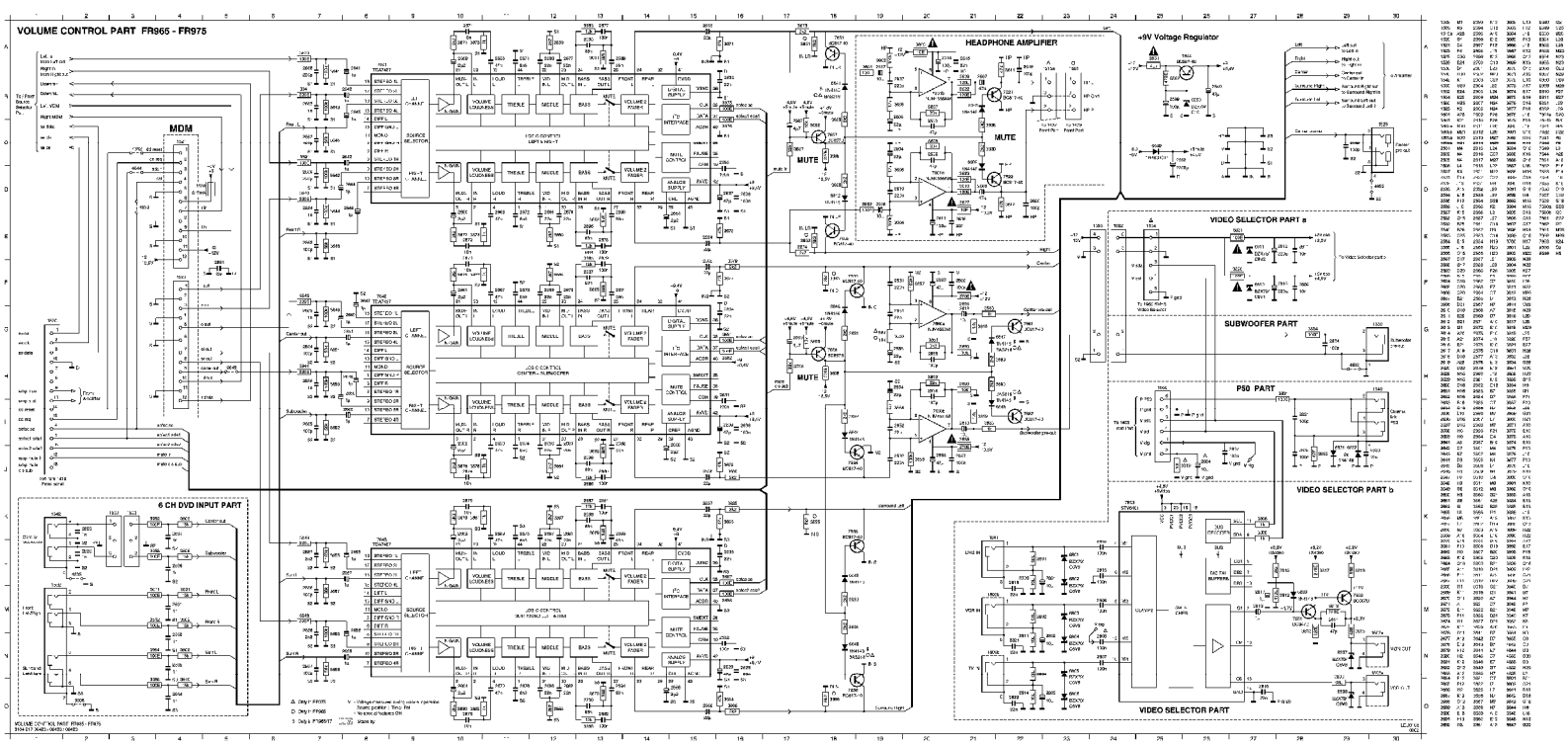


- 9051 D9
- 1051 B1
- 1052 D1
- 1053 C1
- 1054 D1
- 1055 B5
- 1056 A2
- 1057 D6
- 1061 A1
- 1062 A3
- 1063 B6
- 1064 C6
- 1065 B8
- 1066 C6
- 1067 B2
- 1068 D4
- 1069 D6
- 2051 E7
- 2052 E7
- 2053 F7
- 2054 F7
- 2055 B2
- 3051 F4
- 3052 C6
- 3053 C8
- 3054 E8
- 3055 E8
- 3056 F6
- 3057 C9
- 3058 B8
- 3059 E8
- 3061 E5
- 5051 A2
- 5052 D5
- 6052 E7
- 6053 E6
- 6055 E7
- 6056 E7
- 6057 B9
- 6058 B9
- 6059 E9
- 6060 F9
- 6061 F8
- 6062 D6
- 6063 B9
- 6064 C9
- 6065 F6
- 6066 D8
- 6067 E7
- 7051 E8
- 7052 F8
- 7053 B9
- 9051 A2
- 9052 A2
- 9053 A2
- 9054 B2
- 9055 A4
- 9056 A8
- 9057 B5
- 9059 B4
- 9060 D4
- 9061 D8
- 9063 C6
- 9064 A5
- 9065 B1
- 9066 B1
- 9067 E2
- 9068 E2
- 9069 F2
- 9069 F2
- 9096 D6

mdi 23-12-99
3104 217 06610/06630/06650/06660/06670/06680/06690

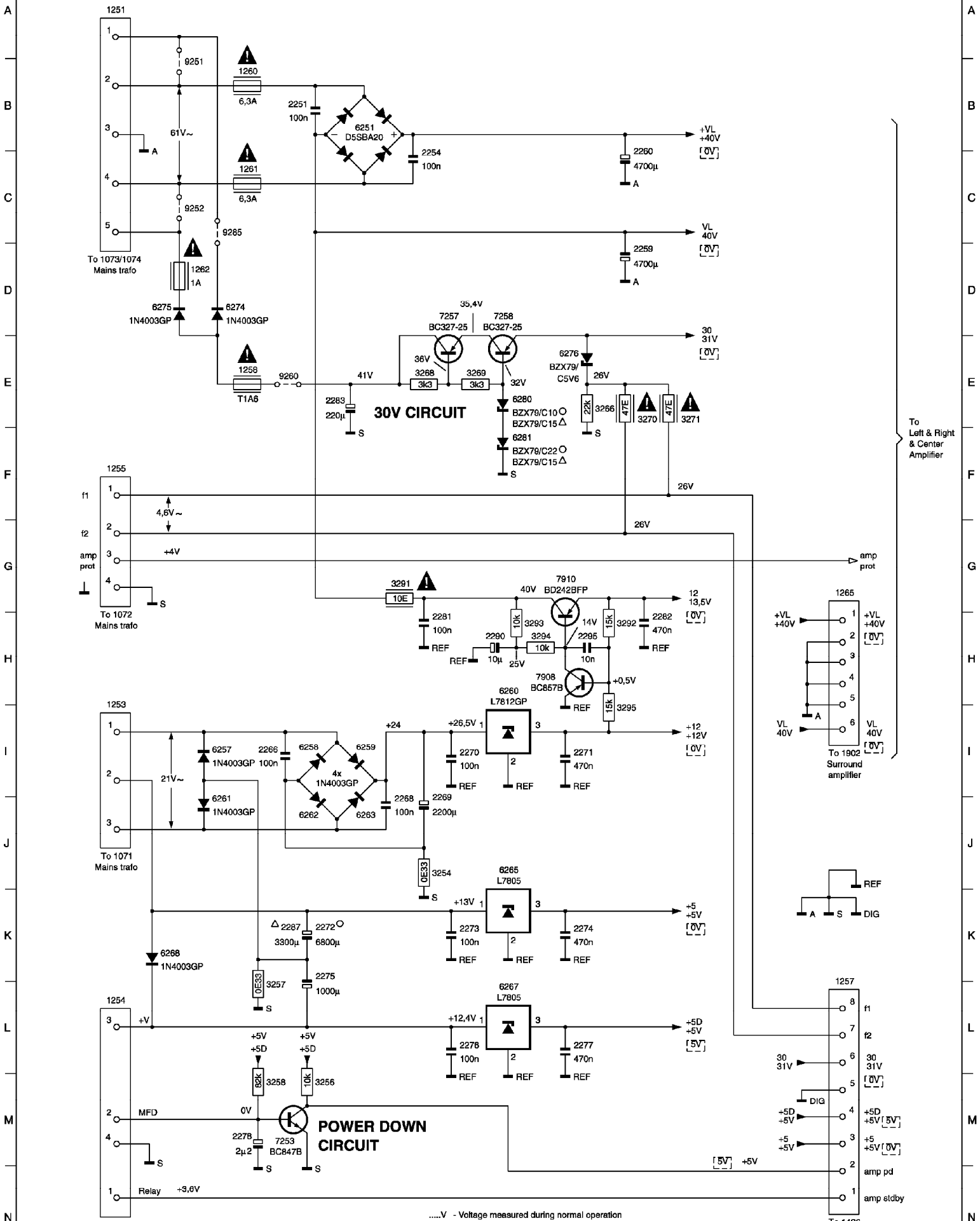


1511	A1	3597	J8
1512	E1	3598	J8
1513	E1	3597	M3
1514	M1	3571	M2
1515	K1	3572	Nz
1516	K1	3573	M2
1517	E1	3574	M2
1518	F1	3575	M2
1519	L1	3576	Nz
1520	K1	3577	J5
1521	K1	3578	J5
1522	K1	3579	J5
1523	K1	3580	J5
1524	K1	3581	J5
1525	K1	3582	J5
1526	K1	3583	J5
1527	K1	3584	M7
1528	K1	3585	J7
1529	K1	3586	M8
1530	K1	3587	M8
1531	K1	3588	M8
1532	K1	3589	M8
1533	K1	3590	M8
1534	K1	3591	M8
1535	K1	3592	M8
1536	K1	3593	M8
1537	K1	3594	M8
1538	K1	3595	M8
1539	K1	3596	M8
1540	K1	3597	M8
1541	K1	3598	M8
1542	K1	3599	M8
1543	K1	3600	M8
1544	K1	3601	M8
1545	K1	3602	M8
1546	K1	3603	M8
1547	K1	3604	M8
1548	K1	3605	M8
1549	K1	3606	M8
1550	K1	3607	M8
1551	K1	3608	M8
1552	K1	3609	M8
1553	K1	3610	M8
1554	K1	3611	M8
1555	K1	3612	M8
1556	K1	3613	M8
1557	K1	3614	M8
1558	K1	3615	M8
1559	K1	3616	M8
1560	K1	3617	M8
1561	K1	3618	M8
1562	K1	3619	M8
1563	K1	3620	M8
1564	K1	3621	M8
1565	K1	3622	M8
1566	K1	3623	M8
1567	K1	3624	M8
1568	K1	3625	M8
1569	K1	3626	M8
1570	K1	3627	M8
1571	K1	3628	M8
1572	K1	3629	M8
1573	K1	3630	M8
1574	K1	3631	M8
1575	K1	3632	M8
1576	K1	3633	M8
1577	K1	3634	M8
1578	K1	3635	M8
1579	K1	3636	M8
1580	K1	3637	M8
1581	K1	3638	M8
1582	K1	3639	M8
1583	K1	3640	M8
1584	K1	3641	M8
1585	K1	3642	M8
1586	K1	3643	M8
1587	K1	3644	M8
1588	K1	3645	M8
1589	K1	3646	M8
1590	K1	3647	M8
1591	K1	3648	M8
1592	K1	3649	M8
1593	K1	3650	M8
1594	K1	3651	M8
1595	K1	3652	M8
1596	K1	3653	M8
1597	K1	3654	M8
1598	K1	3655	M8
1599	K1	3656	M8
1600	K1	3657	M8
1601	K1	3658	M8
1602	K1	3659	M8
1603	K1	3660	M8
1604	K1	3661	M8
1605	K1	3662	M8
1606	K1	3663	M8
1607	K1	3664	M8
1608	K1	3665	M8
1609	K1	3666	M8
1610	K1	3667	M8
1611	K1	3668	M8
1612	K1	3669	M8
1613	K1	3670	M8
1614	K1	3671	M8
1615	K1	3672	M8
1616	K1	3673	M8
1617	K1	3674	M8
1618	K1	3675	M8
1619	K1	3676	M8
1620	K1	3677	M8
1621	K1	3678	M8
1622	K1	3679	M8
1623	K1	3680	M8
1624	K1	3681	M8
1625	K1	3682	M8
1626	K1	3683	M8
1627	K1	3684	M8
1628	K1	3685	M8
1629	K1	3686	M8
1630	K1	3687	M8
1631	K1	3688	M8
1632	K1	3689	M8
1633	K1	3690	M8
1634	K1	3691	M8
1635	K1	3692	M8
1636	K1	3693	M8
1637	K1	3694	M8
1638	K1	3695	M8
1639	K1	3696	M8
1640	K1	3697	M8
1641	K1	3698	M8
1642	K1	3699	M8
1643	K1	3700	M8
1644	K1	3701	M8
1645	K1	3702	M8
1646	K1	3703	M8
1647	K1	3704	M8
1648	K1	3705	M8
1649	K1	3706	M8
1650	K1	3707	M8
1651	K1	3708	M8
1652	K1	3709	M8
1653	K1	3710	M8
1654	K1	3711	M8
1655	K1	3712	M8
1656	K1	3713	M8
1657	K1	3714	M8
1658	K1	3715	M8
1659	K1	3716	M8
1660	K1	3717	M8
1661	K1	3718	M8
1662	K1	3719	M8
1663	K1	3720	M8
1664	K1	3721	M8
1665	K1	3722	M8
1666	K1	3723	M8
1667	K1	3724	M8
1668	K1	3725	M8
1669	K1	3726	M8
1670	K1	3727	M8
1671	K1	3728	M8
1672	K1	3729	M8
1673	K1	3730	M8
1674	K1	3731	M8
1675	K1	3732	M8
1676	K1	3733	M8
1677	K1	3734	M8
1678	K1	3735	M8
1679	K1	3736	M8
1680	K1	3737	M8
1681	K1	3738	M8
1682	K1	3739	M8
1683	K1	3740	M8
1684	K1	3741	M8
1685	K1	3742	M8
1686	K1	3743	M8
1687	K1	3744	M8
1688	K1	3745	M8
1689	K1	3746	M8
1690	K1	3747	M8
1691	K1	3748	M8
1692	K1	3749	M8
1693	K1	3750	M8
1694	K1	3751	M8
1695	K1	3752	M8
1696	K1	3753	M8
1697	K1	3754	M8
1698	K1	3755	M8
1699	K1	3756	M8
1700	K1	3757	M8

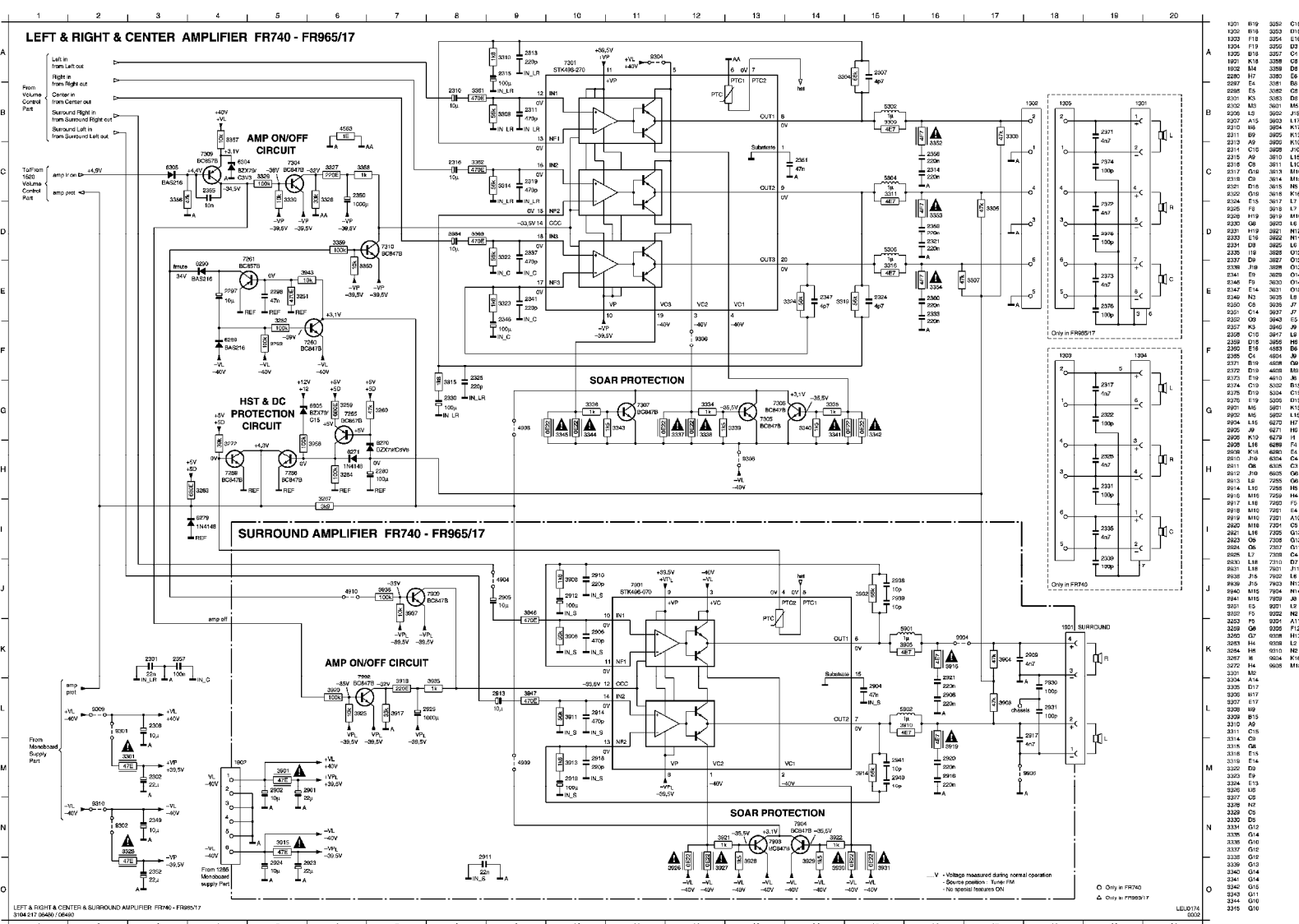


1251	A1	1260	B3	2259	D7	2271	I6	2277	L8	2290	H5	3266	E7	3292	H7	6258	I3	6265	J6	6280	E6	7910	G6
1253	I1	1261	C3	2260	C7	2272	K4	2278	M3	2295	H6	3268	E5	3293	H6	6259	I4	6267	L8	6281	F8	9251	B2
1254	L1	1262	D2	2266	I3	2273	K5	2281	H5	3254	J5	3269	E5	3294	H6	6260	H6	6268	K2	7253	M3	9252	C2
1255	F1	1265	G9	2268	J4	2274	K6	2282	H7	3256	M4	3270	E7	3295	I7	6261	J3	6274	D3	7257	D5	9260	E3
1257	L8	2251	B3	2269	J5	2275	K4	2283	E4	3257	L3	3271	E8	6251	B4	6262	J3	6275	D2	7258	D6	9285	C3
1258	E3	2254	C5	2270	I5	2276	L5	2287	K3	3258	M3	3291	G4	6257	I3	6263	J4	6276	E6	7908	H6		

MONOBOARD SUPPLY FR740 - FR965/17



.....V - Voltage measured during normal operation
 - Source position : Tuner FM
 - No special features ON
 Δ Only FR740
 ○ Only FR965/17

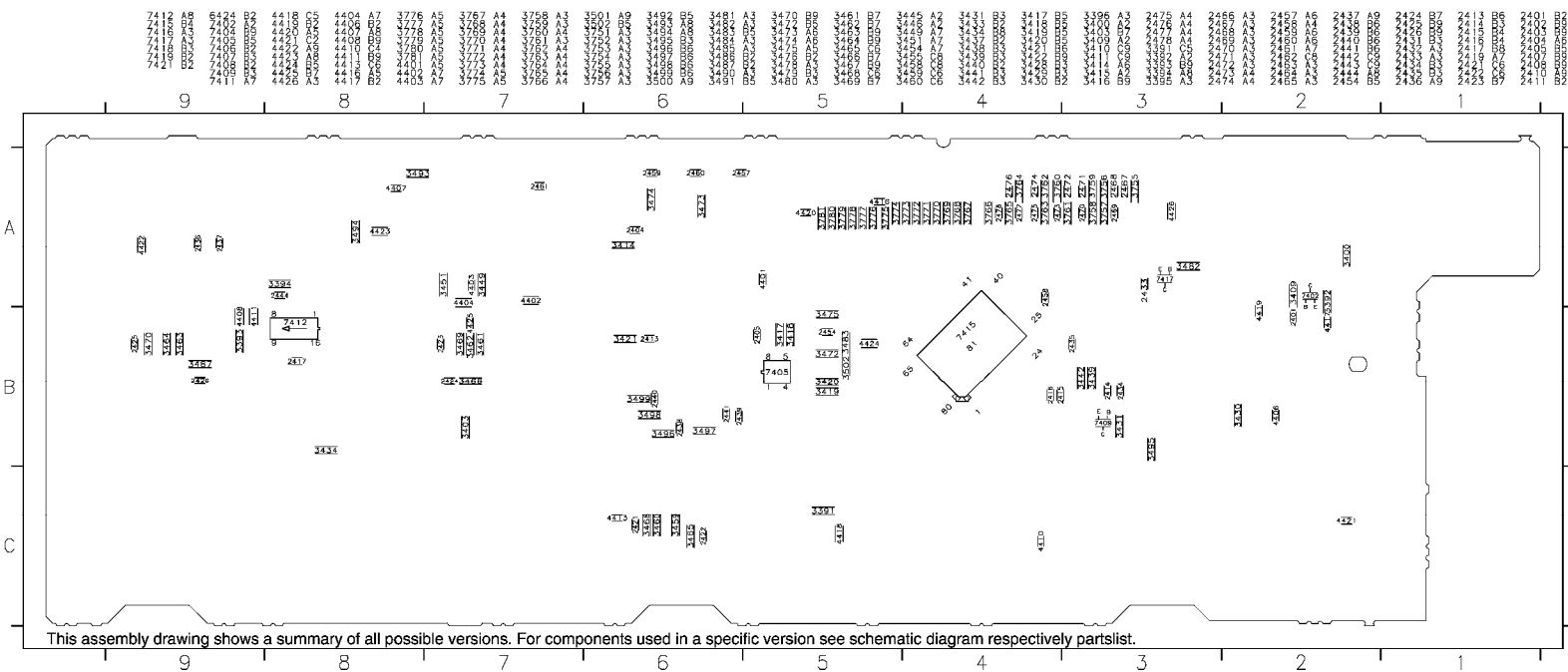
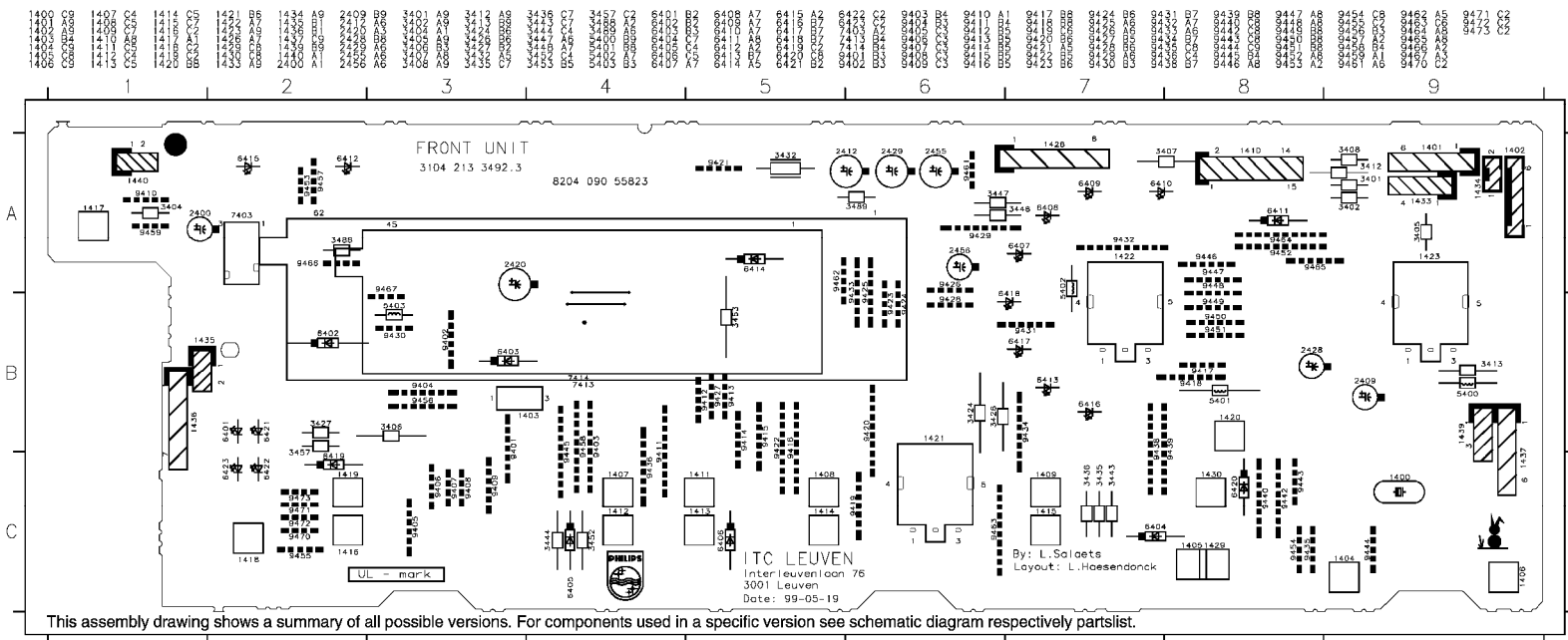


1201	B19	3252	C18
1202	B19	3253	D18
1203	F18	3254	E18
1204	F19	3255	D2
1205	B18	3257	C4
1206	M4	3258	D8
1207	H7	3259	D8
1208	H7	3260	D8
1209	E5	3261	D8
1210	E5	3262	D8
1211	K3	3263	M5
1212	K3	3264	M5
1213	L3	3265	J15
1214	A2	3266	L17
1215	B8	3267	K17
1216	B9	3268	K17
1217	A9	3269	K10
1218	C10	3270	K10
1219	A9	3271	L15
1220	C8	3272	L15
1221	D18	3273	M15
1222	C8	3274	M15
1223	D18	3275	M15
1224	D18	3276	M15
1225	D18	3277	M15
1226	F18	3278	L7
1227	F19	3279	M15
1228	G6	3280	L6
1229	H19	3281	M12
1230	H19	3282	M12
1231	D9	3283	D12
1232	H8	3284	D12
1233	D9	3285	D12
1234	F9	3286	D14
1235	F9	3287	D14
1236	F9	3288	D14
1237	E14	3289	D15
1238	N6	3290	L6
1239	N6	3291	L6
1240	N6	3292	L6
1241	C14	3293	J7
1242	C14	3294	J7
1243	C14	3295	J7
1244	C14	3296	J7
1245	C14	3297	J7
1246	C14	3298	J7
1247	C14	3299	J7
1248	C14	3300	J7
1249	C14	3301	J7
1250	C14	3302	J7
1251	C14	3303	J7
1252	C14	3304	J7
1253	C14	3305	J7
1254	C14	3306	J7
1255	C14	3307	J7
1256	C14	3308	J7
1257	C14	3309	J7
1258	C14	3310	J7
1259	C14	3311	J7
1260	C14	3312	J7
1261	C14	3313	J7
1262	C14	3314	J7
1263	C14	3315	J7
1264	C14	3316	J7
1265	C14	3317	J7
1266	C14	3318	J7
1267	C14	3319	J7
1268	C14	3320	J7
1269	C14	3321	J7
1270	C14	3322	J7
1271	C14	3323	J7
1272	C14	3324	J7
1273	C14	3325	J7
1274	C14	3326	J7
1275	C14	3327	J7
1276	C14	3328	J7
1277	C14	3329	J7
1278	C14	3330	J7
1279	C14	3331	J7
1280	C14	3332	J7
1281	C14	3333	J7
1282	C14	3334	J7
1283	C14	3335	J7
1284	C14	3336	J7
1285	C14	3337	J7
1286	C14	3338	J7
1287	C14	3339	J7
1288	C14	3340	J7
1289	C14	3341	J7
1290	C14	3342	J7
1291	C14	3343	J7
1292	C14	3344	J7
1293	C14	3345	J7
1294	C14	3346	J7
1295	C14	3347	J7
1296	C14	3348	J7
1297	C14	3349	J7
1298	C14	3350	J7
1299	C14	3351	J7
1300	C14	3352	J7

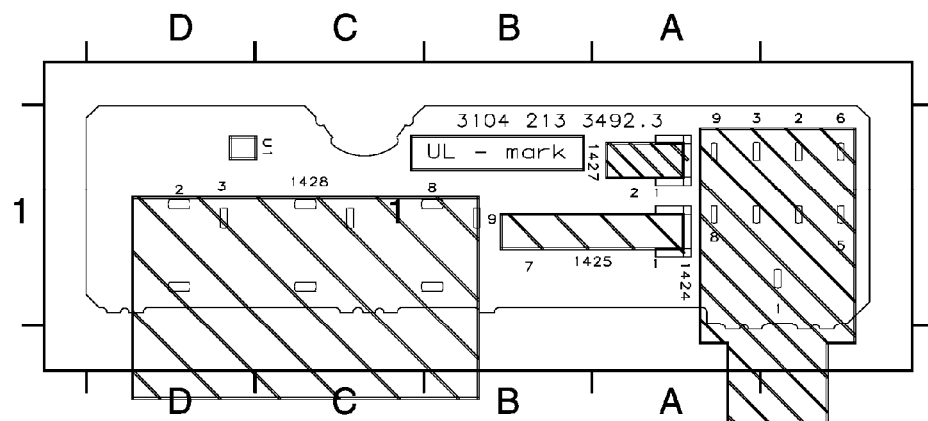
LEFT & RIGHT & CENTER AMPLIFIER FR740 - FR965/17
STK417-0440-0440

LEU0174
0502

FRONT BOARD - COMPONENT & COPPER SIDE VIEW

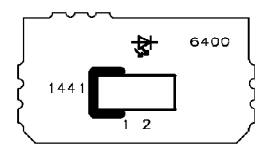


HEADPHONE BOARD - COMPONENT VIEW

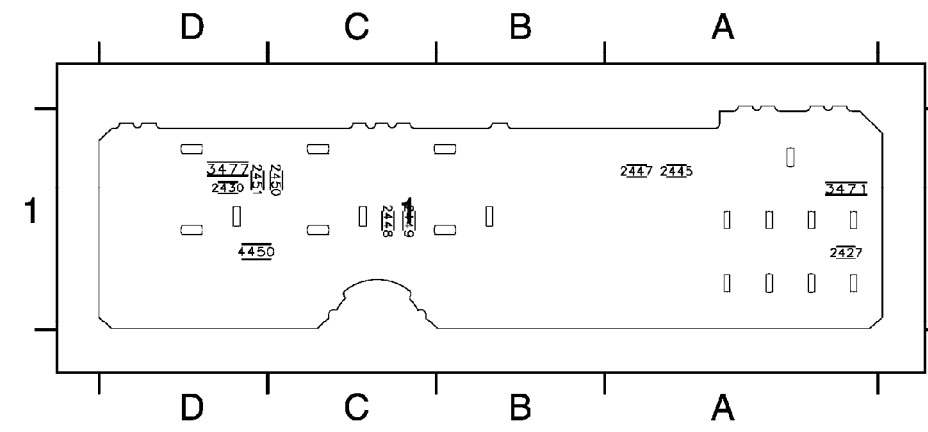


- U1 C1
- 1424 A1
- 1425 A1
- 1427 A1
- 1428 C1

LED BOARD - COMPONENT VIEW



HEADPHONE BOARD - COPPER SIDE VIEW

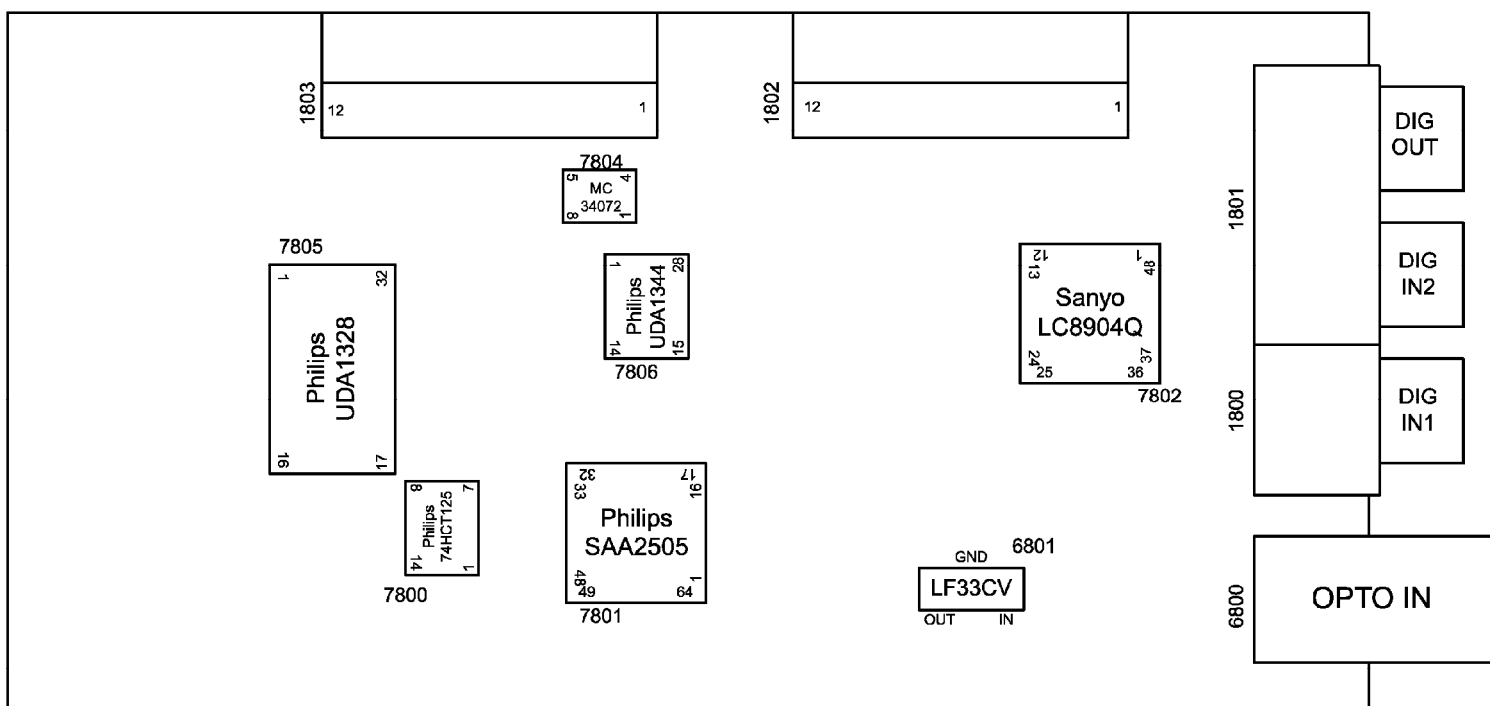


- 2427 A1
- 2430 D1
- 2445 A1
- 2447 A1
- 2448 C1
- 2449 C1
- 2450 C1
- 2451 D1
- 3471 A1
- 3477 D1
- 4450 D1

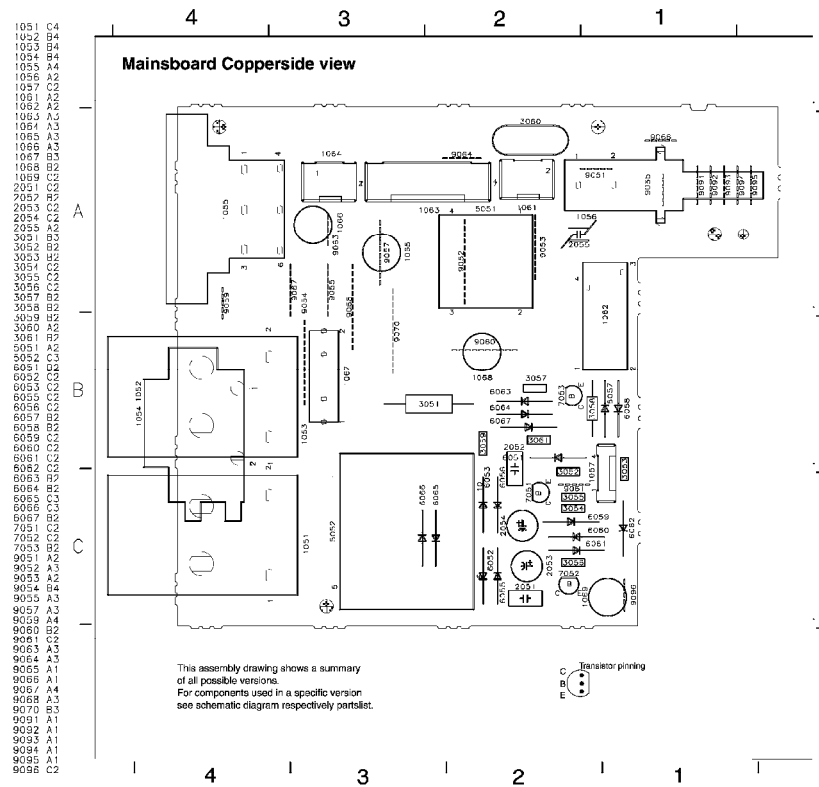
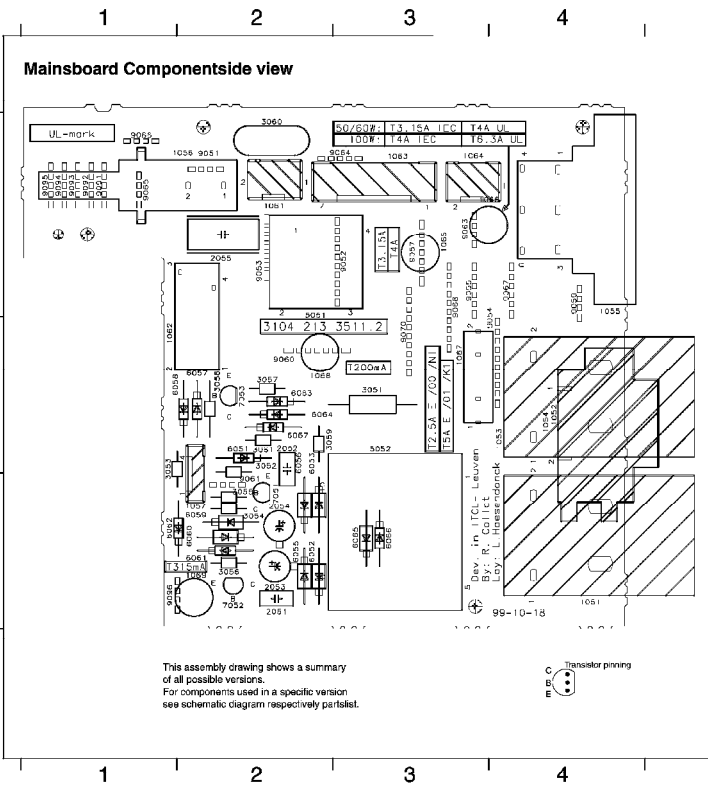
ELECTRICAL PARTSLIST - MDM MODULE

1003	3104 217 05750	MDM Module
1800	4822 267 31729	Connector
1801	4822 267 31448	Connector
6800	4822 218 11487	GP1F32R
6801	4822 209 16978	LF33CV

Note: Only the parts mentioned in this list are normal service parts.



MAINS BOARD - COMPONENTSIDE VIEW & COPPERSIDE VIEW



Copperside view

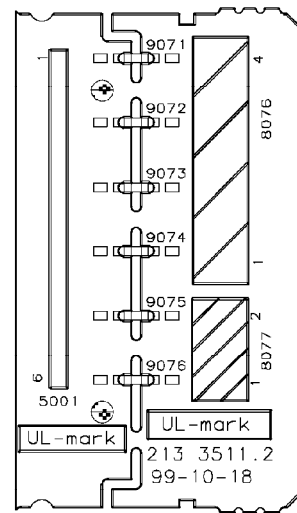
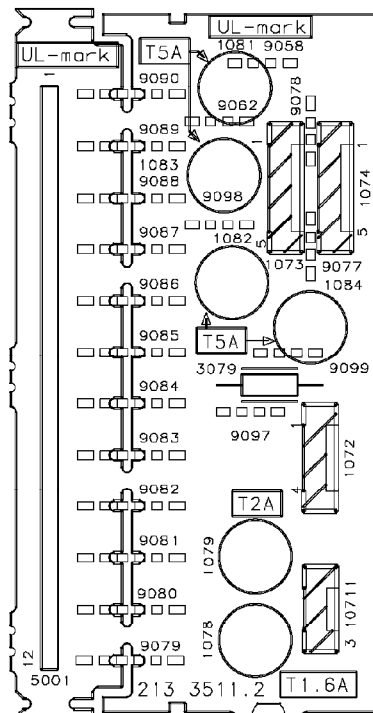
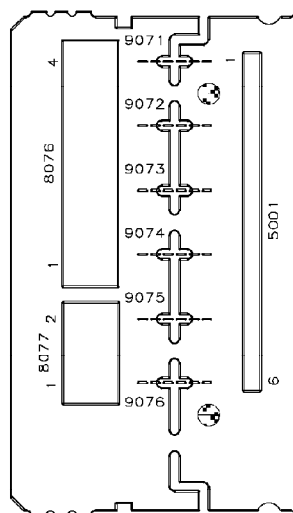
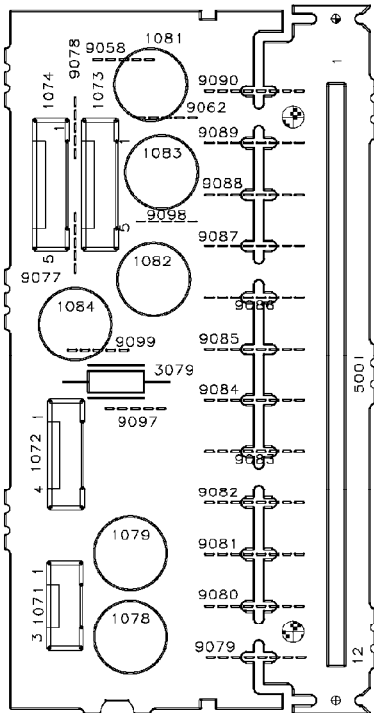
Interconnection Board
Transformer secondary

Interconnection Board
Transformer primary

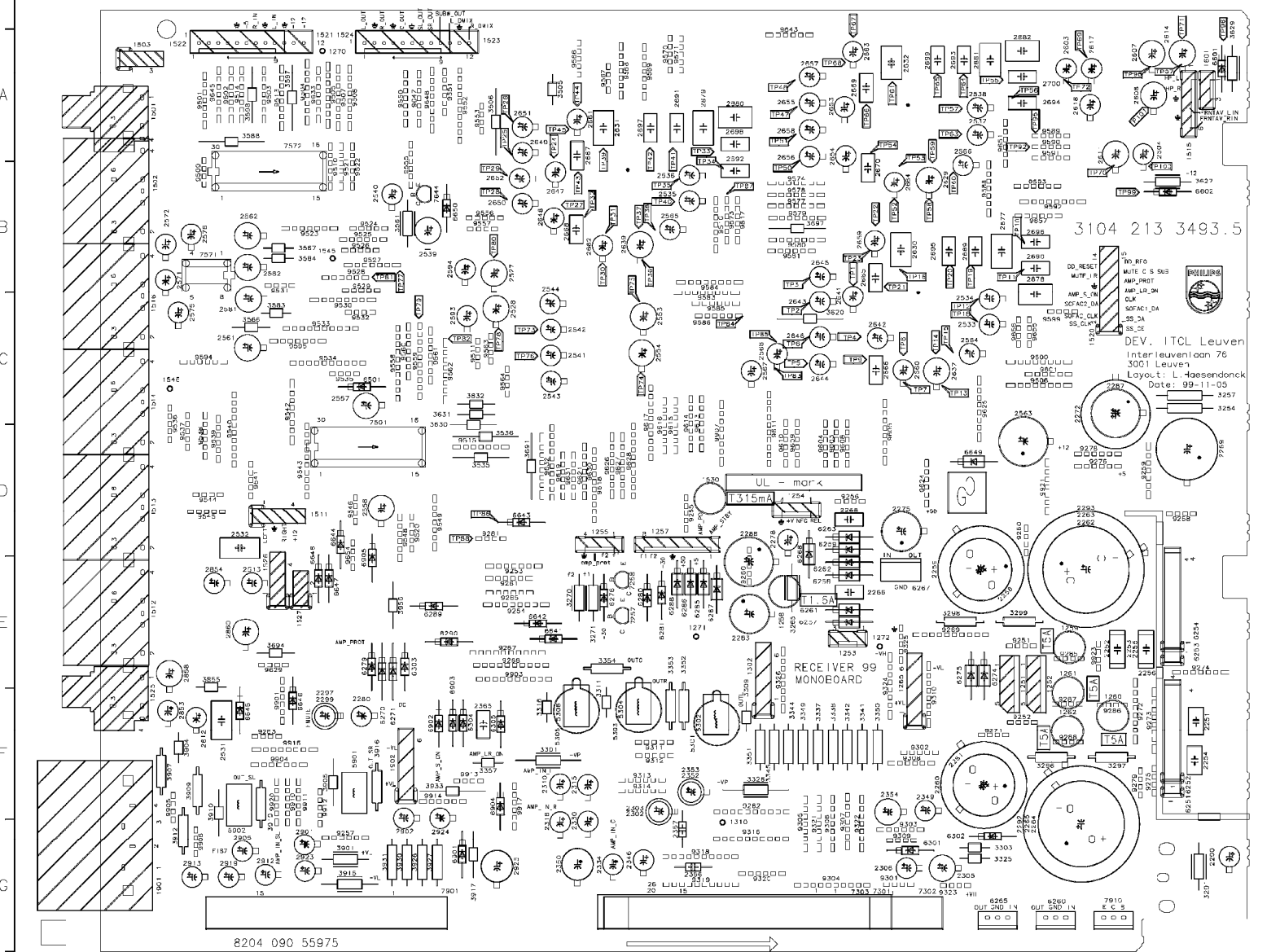
Componentside view

Interconnection Board
Transformer secondary

Interconnection Board
Transformer primary



1 2 3 4 5 6 7 8 9



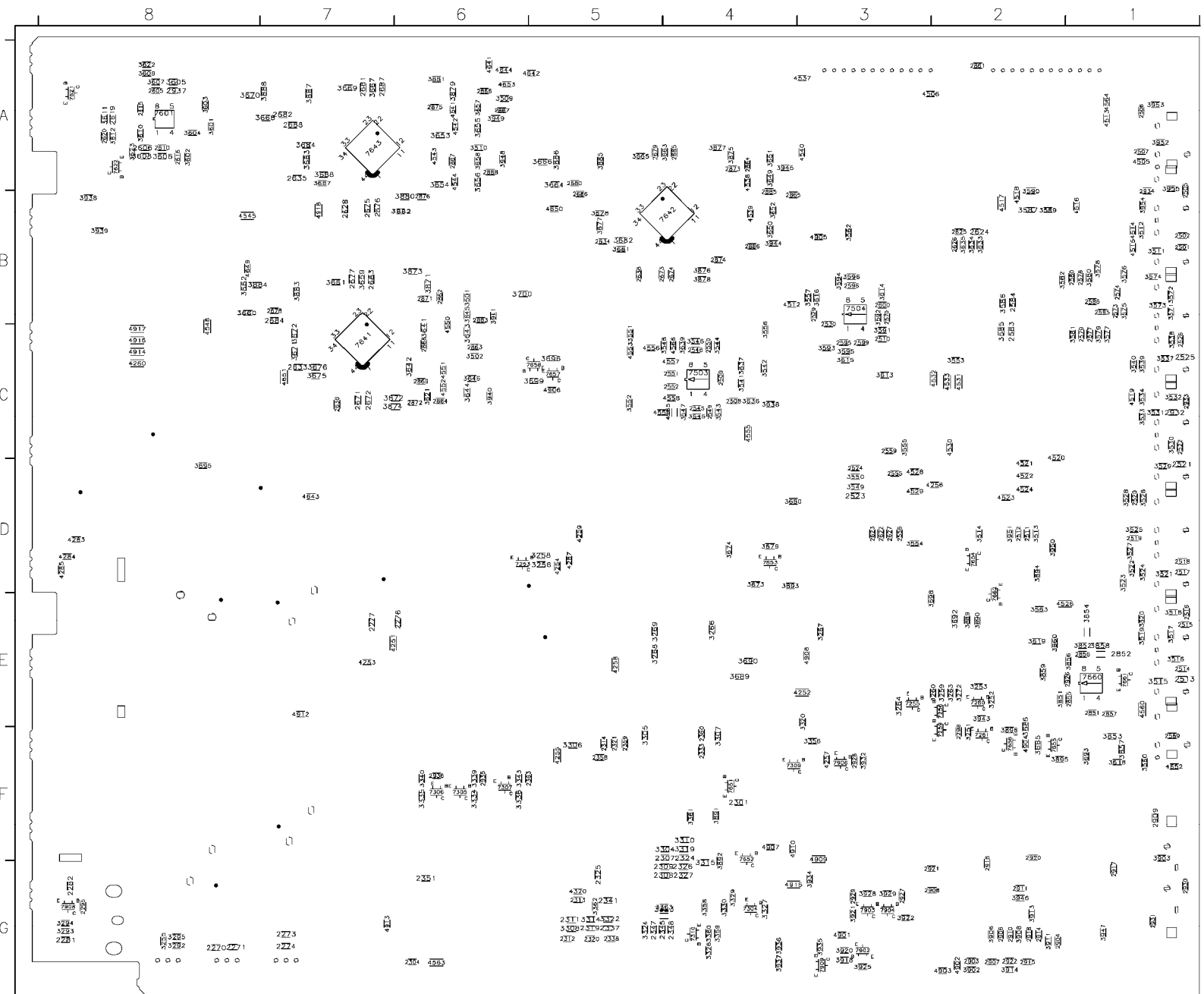
3104 213 3493.5

DEV. ITCL Leuven
Interleuvenaan 76
3001 Leuven
Loyalt L. Haesendonck
Date: 99-11-05

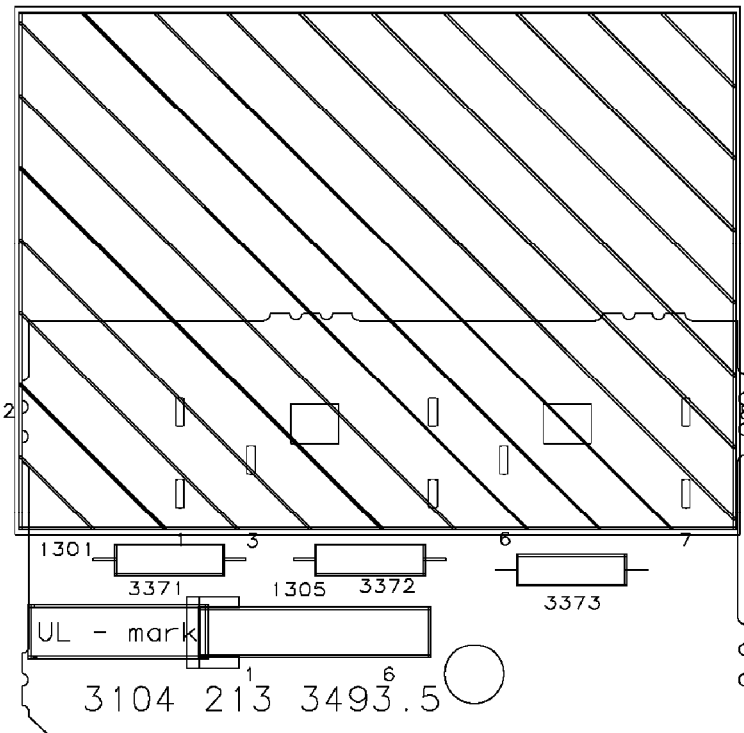
RECEIVER MONOBOARD

UL - mor

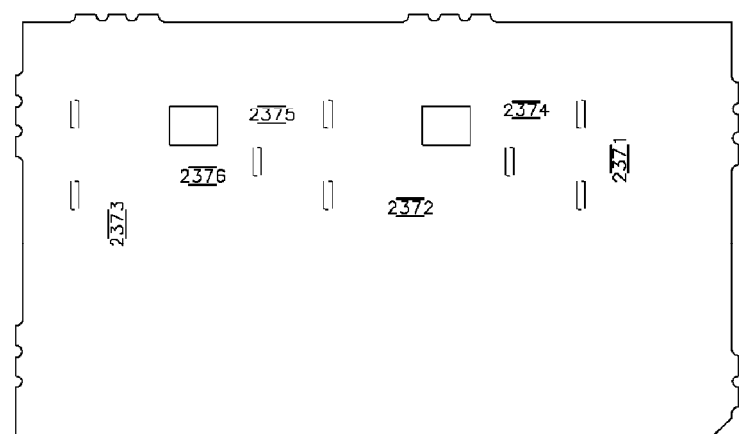
8204 090 55975



CLICK FIT SPEAKER BOARD COMPONENT VIEW



CLICK FIT SPEAKER BOARD COPPER SIDE VIEW



Service and Quality
Service Publications Dept.
One Philips Drive
P.O. Box 14810
Knoxville, TN 37914

Parts List

REFER TO SAFETY GUIDELINES

SAFETY NOTICE: ANY PERSON ATTEMPTING TO SERVICE THIS CHASSIS MUST FAMILIARIZE HIMSELF WITH THE CHASSIS AND BE AWARE OF THE NECESSARY SAFETY PRECAUTIONS TO BE USED WHEN SERVICING ELECTRONIC EQUIPMENT CONTAINING HIGH VOLTAGES.

CAUTION: USE A SEPARATE ISOLATION TRANSFORMER FOR THIS UNIT WHEN SERVICING

FRONT DISPLAY BOARD PARTS LIST

FRONT DISPLAY BOARD PARTS LIST			FRONT DISPLAY BOARD PARTS LIST			FRONT DISPLAY BOARD PARTS LIST		
MISCELLANEOUS								
1403	Crystal, 8MHz.	4822 242	72066	3401	10K, 1%, 0.6W.	4822 050	21003	
1404	SWITCH,-PUSH BUTTON.	4822 276	13114	3402	10K, 1%, 0.6W.	4822 050	21003	
1405	SWITCH,-PUSH BUTTON.	4822 276	13114	3403	6K8, 1%, 0.1W.	4822 117	11507	
1406	SWITCH,-PUSH BUTTON.	4822 276	13114	3404	330 Ohm, 5%, 0.5W.	4822 116	52219	
1407	SWITCH,-PUSH BUTTON.	4822 276	13114	3405	22K, 5%, 0.5W.	4822 116	52257	
1408	SWITCH,-PUSH BUTTON.	4822 276	13114	3406	10K, 1%, 0.6W.	4822 050	21003	
1409	SWITCH,-PUSH BUTTON.	4822 276	13114	3407	10K, 1%, 0.6W.	4822 050	21003	
1410	Connector, 15FE-BT-VK-N.	4822 265	10981	3408	10K, 1%, 0.6W.	4822 050	21003	
1411	SWITCH,-PUSH BUTTON.	4822 276	13114	3409	1K, 2%, 0.25W.	4822 051	10102	
1412	SWITCH,-PUSH BUTTON.	4822 276	13114	3414	1K, 2%, 0.25W.	4822 051	10102	
1413	SWITCH,-PUSH BUTTON.	4822 276	13114	3415	0 Ohm, Jumper, (0805).	4822 051	20008	
1414	SWITCH,-PUSH BUTTON.	4822 276	13114	3417	10K, 1%, 0.1W.	4822 117	10833	
1415	SWITCH,-PUSH BUTTON.	4822 276	13114	3418	10K, 1%, 0.1W.	4822 117	10833	
1416	SWITCH,-PUSH BUTTON.	4822 276	13114	3419	10K, 1%, 0.1W.	4822 117	10833	
1417	SWITCH,-PUSH BUTTON.	4822 276	13114	3420	10K, 1%, 0.1W.	4822 117	10833	
1418	SWITCH,-PUSH BUTTON.	4822 276	13114	3421	10K, 1%, 0.1W.	4822 117	10833	
1419	SWITCH,-PUSH BUTTON.	4822 276	13114	3424	1K, 1%, 0.4W.	4822 050	11002	
1421	SWITCH, ROTARY	4822 273	10372	3426	1K, 1%, 0.4W.	4822 050	11002	
1422	SWITCH, ROTARY	4822 273	10372	3427	150 Ohm, 5%, 0.5W.	4822 116	83868	
1423	ROTARY ENCODER 24P	4822 273	10365	3428	27K, 5%, 0.1W.	4822 051	20273	
1424	1P YKB21-5209.	4822 265	11584	3429	22K, 5%, 0.1W.	4822 051	20223	
				3430	22K, 5%, 0.1W.	4822 051	20223	
				3431	10K, 1%, 0.1W.	4822 117	10833	
				S 3432	4.7 Ohm, 5%, 0.33W.	4822 052	10478	
				3433	10K, 1%, 0.1W.	4822 117	10833	
2400	100uF., 20%, 10V	4822 124	41584	3434	22K, 5%, 0.1W.	4822 051	20223	
2404	1nF., 10%, X7R, 63V.	5322 122	31647	3435	22K, 5%, 0.5W.	4822 116	52257	
2405	22nF., 10%, X7R, 63V.	5322 122	32654	3436	22K, 5%, 0.5W.	4822 116	52257	
2411	220pF., 5%, NP0, 63V	4822 122	33575	3437	100K, 1%, 0.1W.	4822 117	10837	
2412	47uF., 20%, 50V.	4822 124	41751	3438	220K 1%, 0.1W, RC12H	4822 117	13579	
2413	22nF., 10%, X7R, 63V	5322 122	32654	3439	10K, 1%, 0.1W.	4822 117	10833	
2414	22nF., 10%, X7R, 63V	5322 122	32654	3440	47 Ohm, 5%, 0.1W	4822 051	20479	
2415	22pF., 5%, 50V	5322 122	32658	3441	82K, 1%, 0.1W.	4822 117	11149	
2416	22pF., 5%, 50V	5322 122	32658	3442	100K, 1%, 0.1W	4822 117	10837	
2417	22nF., 10%, X7R, 63V	5322 122	32654	3443	330 Ohm, 5%, 0.5W.	4822 116	52219	
2419	22nF., 10%, X7R, 63V	5322 122	32654	3444	330 Ohm, 5%, 0.5W.	4822 116	52219	
2420	100uF., 20%, 10V	4822 124	23432	3445	330 Ohm, 1%, RC12H, 1.25W.	4822 117	13577	
2421	22nF., 10%, X7R, 63V	5322 122	32654	3446	330 Ohm, 1%, RC12H, 1.25W.	4822 117	13577	
2422	22nF., 10%, X7R, 63V	5322 122	32654	3447	330 Ohm, 5%, 0.5W.	4822 116	52219	
2423	22nF., 10%, X7R, 63V	5322 122	32654	3448	330 Ohm, 5%, 0.5W.	4822 116	52219	
2424	22nF., 10%, X7R, 63V	5322 122	32654	3449	100K, 1%, 0.1W	4822 117	10837	
2425	22nF., 10%, X7R, 63V	5322 122	32654	3451	10K, 1%, 0.1W.	4822 117	10833	
2426	22nF., 10%, X7R, 63V	5322 122	32654	3452	330 Ohm, 5%, 0.5W.	4822 116	52219	
2427	1nF., 10%, X7R, 63V.	5322 122	31647	3453	330 Ohm, 5%, 0.5W.	4822 116	52219	
2428	4.7uF., 20%, 100V.	4822 124	40769	3455	22K, 5%, 0.1W.	4822 051	20223	
2429	47uF., 20%, 50V.	4822 124	41751	3457	330 Ohm, 5%, 0.5W.	4822 116	52219	
2431	100pF., 5%, NP0, 50V	5322 122	32531	3459	10K, 1%, 0.1W.	4822 117	10833	
2432	100pF., 5%, NP0, 50V	5322 122	32531	3460	10K, 1%, 0.1W.	4822 117	10833	
2433	100pF., 5%, NP0, 50V	5322 122	32531	3461	10K, 1%, 0.1W.	4822 117	10833	
2434	220nF., +80/-20%, 25V.	4822 126	14076	3462	10K, 1%, 0.1W.	4822 117	10833	
2435	220pF., 5%, NP0, 63V	4822 122	33575	3463	10K, 1%, 0.1W.	4822 117	10833	
2436	220pF., 5%, NP0, 63V	4822 122	33575	3464	10K, 1%, 0.1W.	4822 117	10833	
2437	220pF., 5%, NP0, 63V	4822 122	33575	3465	220 Ohm, 1%, 0.1W.	4822 117	11503	
2438	220pF., 5%, NP0, 63V	4822 122	33575	3466	220 Ohm, 1%, 0.1W.	4822 117	11503	
2439	220pF., 5%, NP0, 63V	4822 122	33575	3467	220 Ohm, 1%, 0.1W.	4822 117	11503	
2440	220pF., 5%, NP0, 63V	4822 122	33575	3468	220 Ohm, 1%, 0.1W.	4822 117	11503	
2441	220pF., 5%, NP0, 63V	4822 122	33575	3469	220 Ohm, 1%, 0.1W.	4822 117	11503	
2444	22nF., 10%, X7R, 63V	5322 122	32654	3470	220 Ohm, 1%, 0.1W.	4822 117	11503	
2445	4.7nF., 10%, X7R, 63V.	5322 126	10223	3471	1K, 2%, 0.25W.	4822 051	10102	
2447	4.7nF., 10%, X7R, 63V.	5322 126	10223	3472	1K, 2%, 0.25W.	4822 051	10102	
2454	22nF., 10%, X7R, 63V	5322 122	32654	3473	0 Ohm, Jumper, (0805).	4822 051	20008	
2455	47uF., 20%, 50V.	4822 124	41751	3474	0 Ohm, Jumper, (0805).	4822 051	20008	
2456	47uF., 20%, 25V.	4822 124	40433	3475	100K, 1%, 0.1W	4822 117	10837	
2457	22nF., 10%, X7R, 63V	5322 122	32654	3478	100K, 1%, 0.1W	4822 117	10837	
2458	22nF., 10%, X7R, 63V	5322 122	32654	3479	1K, 2%, 0.25W.	4822 051	10102	
2459	22nF., 10%, X7R, 63V	5322 122	32654	3480	100K, 1%, 0.1W	4822 117	10837	
2460	22nF., 10%, X7R, 63V	5322 122	32654	3481	1K, 2%, 0.25W.	4822 051	10102	
2461	22nF., 10%, X7R, 63V	5322 122	32654	3482	100K, 1%, 0.1W	4822 117	10837	
2462	1nF., 10%, X7R, 63V.	5322 122	31647	3483	100K, 1%, 0.1W	4822 117	10837	
2463	100pF., 5%, NP0, 50V	5322 122	32531	3484	1K, 2%, 0.25W.	4822 051	10102	
2464	100pF., 5%, NP0, 50V	5322 122	32531	3485	0 Ohm, Jumper, (0805).	4822 051	20008	
2465	100pF., 5%, NP0, 50V	5322 122	32531	3491	100K, 1%, 0.1W	4822 117	10837	
2466	100pF., 5%, NP0, 50V	5322 122	32531	3493	470 Ohm, 5%, 0.1W.	4822 051	20471	
2467	100pF., 5%, NP0, 50V	5322 122	32531	3494	470 Ohm, 5%, 0.1W.	4822 051	20471	
2468	100pF., 5%, NP0, 50V	5322 122	32531	3495	470 Ohm, 5%, 0.1W.	4822 051	20471	
2469	100pF., 5%, NP0, 50V	5322 122	32531	3496	470 Ohm, 5%, 0.1W.	4822 051	20471	
2470	100pF., 5%, NP0, 50V	5322 122	32531	3497	470 Ohm, 5%, 0.1W.	4822 051	20471	
2471	100pF., 5%, NP0, 50V	5322 122	32531	3498	470 Ohm, 5%, 0.1W.	4822 051	20471	
2472	100pF., 5%, NP0, 50V	5322 122	32531	3499	470 Ohm, 5%, 0.1W.	4822 051	20471	
2473	100pF., 5%, NP0, 50V	5322 122	32531	3500	470 Ohm, 5%, 0.1W.	4822 051	20471	
2474	100pF., 5%, NP0, 50V	5322 122	32531	3501	470 Ohm, 5%, 0.1W.	4822 051	20471	
2475	100pF., 5%, NP0, 50V	5322 122	32531	3502	1K, 2%, 0.25W.	4822 051	10102	
2476	100pF., 5%, NP0, 50V	5322 122	32531	3751	33K, 5%, 0.1W.	4822 051	20333	
2477	100pF., 5%, NP0, 50V	5322 122	32531	3752	33K, 5%, 0.1W.	4822 051	20333	
2478	100pF., 5%, NP0, 50V	5322 122	32531	3753	33K, 5%, 0.1W.	4822 051	20333	
				3754	33K, 5%, 0.1W.	4822 051	20333	
3391	1K, 2%, 0.25W.	4822 051	10102	3755	33K, 5%, 0.1W.	4822 051	20333	
3392	22K, 5%, 0.1W.	4822 051	20223	3756	33K, 5%, 0.1W.	4822 051	20333	
3393	22K, 5%, 0.1W.	4822 051	20223	3757	33K, 5%, 0.1W.	4822 051	20333	
3394	22K, 5%, 0.1W.	4822 051	20223	3758	33K, 5%, 0.1W.	4822 051	20333	
3395	0 Ohm, Jumper, (0805).	4822 051	20008	3759	33K, 5%, 0.1W.	4822 051	20333	
3400	47R, 5%, 0.1W.	4822 051	20479	3760	33K, 5%, 0.1W.	4822 051	20333	

S = Safety Part Be sure to use exact replacement part.

5121	Quartz 75kHz	4822	242	10261
5123	Osc Coil MW	4822	157	60517
5130	RF-Coil 1.5T	4822	156	30947
5131	RF-Coil 1.5T	4822	156	30947
SEMICONDUCTORS				
6103	Diode, 1N4148	4822	130	30621
6104	Diode, 1N4148	4822	130	30621
6105	Diode, HN1V02H-B	4822	130	83075
6106	Diode, 1N4148	4822	130	30621
6107	Diode, BZX79-B11	4822	130	34488
6120	Diode, 1N4148, only in /17	4822	130	30621
6130	Diode, 1SV228	4822	130	82833
6131	Diode, 1SV228	4822	130	82833
7101	IC, TEA5757H/V1	4822	209	90924
7102	Transistor, 2SA838B	4822	130	60093
7111	Transistor, BC848C	5322	130	42136

MDM MODULE PARTS

MDM MODULE PARTS				
1003	MDM Module (Complete)	3104	217	05750
1800	Connector	4822	267	31729
1801	Connector	4822	267	31448
6800	GPIF32R	4822	218	11487
6801	LF33CV Stabilizer	4822	209	16978

MAINS BOARD PARTS LIST

MAINS BOARD PARTS LIST				
MISCELLANEOUS				
S 1052	MAINS OUTLET	2422	030	00301
S 1054	MAINS OUTLET	2422	030	00301
S 1056	MAINS SWITCH	4822	276	13224
S 1061	MAINS INLET	4822	265	20723
S 1062	RELAY	4822	280	10391
1064	B2P3-VH	4822	265	20723
S 1066	FUSE, 4A	4822	253	10126
S 1069	FUSE, 315MA	4822	071	53151
S 1078	FUSE, 1.6A	4822	071	51602
S 1079	FUSE, 2A	4822	071	52002
S 5052	Transformer, Standby /17	4822	146	11142
CAPACITORS				
2051	47nF., 5%, 250V	4822	121	43526
2052	47nF., 5%, 250V	4822	121	43526
2055	4.7nF., 20% 250V	4822	126	14084
RESISTORS				
S 3051	10 Meg, 5%, 0.5W	4822	053	21106
3052	1K, 1%, 0.4W	4822	050	11002
3053	1K, 1%, 0.4W	4822	050	11002
3057	12 Ohm, 5%, 0.33W	4822	052	10129
3058	2.2K, 5%, 0.5W	4822	116	52256
3059	10K, 1%, 0.6W	4822	050	21003
3061	10K, 1%, 0.6W	4822	050	21003
SEMICONDUCTORS				
6051	Diode, 1N4148	4822	130	30621
6052	Diode, 1N4003G	4822	130	31878
6053	Diode, 1N4003G	4822	130	31878
6055	Diode, 1N4003G	4822	130	31878
6056	Diode, 1N4003G	4822	130	31878
6057	Diode, 1N4148	4822	130	30621
6058	Diode, 1N4148	4822	130	30621
6062	Diode, 1N4148	4822	130	30621
6063	Diode, 1N4148	4822	130	30621
6064	Diode, 1N4148	4822	130	30621
6066	Diode, 1N4148	4822	130	30621
6067	Diode, 1N4148	4822	130	30621
7053	Transistor, BC337-25	4822	130	40981

MONO BOARD PARTS LIST

MONO BOARD PARTS LIST				
MISCELLANEOUS				
S 1258	FUSE, 1.6A	4822	071	51602
S 1260	FUSE, 6.3A	4822	252	51123
S 1261	FUSE, 6.3A	4822	252	51123
S 1262	FUSE, 1A	4822	252	51173
1301	CONN LS	2422	015	19088
1502	CINCH 4P	4822	267	31823
1512	CINCH 4P	4822	267	31823
1513	CINCH 4P	4822	267	31823
1514	CINCH 4P	4822	267	31823
1516	CINCH 4P	4822	267	31823
1520	CINCH 1P	4822	265	10981
1521	CON BM V 12P	2422	025	11067
1523	CON BM V 12P	2422	025	11067
1525	CINCH 2P	4822	265	11608
S 1530	FUSE 315mA	4822	071	53151
1540	CINCH 2P	4822	265	20542
1542	CINCH 2P	2422	026	05134
1550	CINCH 1P	4822	267	31729
1801	CONN, 1P	4822	267	31996
1802	CINCH 2P	4822	265	11619
1803	CINCH 2P	4822	265	11619
1901	CONN, CLICK 4P	4822	265	11609
5302	Filter Coil	4822	157	62255

5304	Filter Coil	4822	157	62255
5306	Filter Coil	4822	157	62255
5901	Filter Coil	4822	157	62255
5902	Filter Coil	4822	157	62255
CAPACITORS				
2251	100nF., 5%, 250V	5322	121	42578
2254	100nF., 5%, 250V	5322	121	42578
2259	4700uF., 20%, 50V	4822	124	80415
2260	4700uF., 20%, 50V	4822	124	80415
2266	100nF., 5%, 63V	5322	121	42386
2268	100nF., 5%, 63V	5322	121	42386
2269	2200uF., 20%, 35V	4822	124	11583
2270	100nF., Y5V 0805 50V	4822	126	13838
2271	470nF., 10%, 16V	4822	126	14583
2272	6800uF., 16V	4822	124	12328
2273	100nF., 10%, X7R, 50V	4822	126	14585
2274	470nF., 10%, 16V XTR 0805	4822	126	14583
2275	1000uF., 16V	4822	124	81144
2276	100nF., 10%, X7R, 50V	4822	126	14585
2277	470nF., 10%, 16V	4822	126	14583
2278	2.2uF., 20%, 50V	4822	124	22652
2280	100uF., 20%, 10V	4822	124	41584
2281	100nF., Y5V, 50V	4822	126	13838
2282	470nF., 10%, 16V	4822	126	14583
2283	220uF., 20%, 50V	4822	124	11769
2290	10uF., 20%, 63V	4822	124	40248
2295	10nF., 20%, X7R, 50V	4822	122	33177
2297	10uF., 20%, 63V	4822	124	40248
2298	47nF., 10%, X7R, 63V	4822	126	13751
2301	22nF., 10%, X7R, 63V	5322	122	32654
2302	22uF., 50V	4822	124	81151
2306	10uF., 20%, 63V	4822	124	40248
2307	4.7pF., 5%, NP0, 50V	5322	122	32287
2310	10uF., 20%, 63V	4822	124	40248
2311	470pF., 10%, 50V	5322	122	32268
2313	220pF., 5%, NP0, 63V	4822	122	33575
2314	220nF., 80-20%, 50V	4822	126	13473
2315	100uF., 20%, 10V	4822	124	41584
2316	10uF., 20%, 63V	4822	124	40248
2319	470pF., 10%, 50V	5322	122	32268
2321	220nF., 80-20%, 50V	4822	126	13473
2324	4.7pF., 5%, NP0, 50V	5322	122	32287
2325	220pF., 5%, NP0, 63V	4822	122	33575
2330	100uF., 20%, 10V	4822	124	41584
2333	220nF., 80-20%, 50V	4822	126	13473
2334	10uF., 20%, 63V	4822	124	40248
2337	470pF., 10%, 50V	5322	122	32268
2341	220pF., 5%, NP0, 63V	4822	122	33575
2346	100uF., 20%, 10V	4822	124	41584
2347	4.7pF., 5%, NP0, 50V	5322	122	32287
2349	10uF., 20%, 63V	4822	124	40248
2350	220uF., 20%, 10V	4822	124	40181
2351	47nF., 10%, X7R, 63V	4822	126	13751
2352	22uF., 50V	4822	124	81151
2357	100nF., +80-20%, 50V	4822	126	12882
2358	220nF., 80-20%, 50V	4822	126	13473
2359	220nF., 80-20%, 50V	4822	126	13473
2360	220nF., 80-20%, 50V	4822	126	13473
2365	10nF., 5%, 250V	4822	121	41857
2371	4.7nF., 10%, X7R, 63V	5322	126	10223
2372	4.7nF., 10%, X7R, 63V	5322	126	10223
2373	4.7nF., 10%, X7R, 63V	5322	126	10223
2374	100pF., 5%, NP0, 50V	5322	122	32531
2375	100pF., 5%, NP0, 50V	5322	122	32531
2376	100pF., 5%, NP0, 50V	5322	122	32531
2501	1nF., 5%, NP0, 50V	5322	126	10511
2502	1nF., 5%, NP0, 50V	5322	126	10511
2505	1nF., 5%, NP0, 50V	5322	126	10511
2506	1nF., 5%, NP0, 50V	5322	126	10511
2507	1nF., 5%, NP0, 50V	5322	126	10511
2508	100pF., 5%, NP0, 50V	5322	122	32531
2509	100pF., 5%, NP0, 50V	5322	122	32531
2510	100pF., 5%, NP0, 50V	5322	122	32531
2511	100pF., 5%, NP0, 50V	5322	122	32531
2512	100pF., 5%, NP0, 50V	5322	122	32531
2513	100pF., 5%, NP0, 50V	5322	122	32531
2514	100pF., 5%, NP0, 50V	5322	122	32531
2515	100pF., 5%, NP0, 50V	5322	122	32531
2516	100pF., 5%, NP0, 50V	5322	122	32531
2517	100pF., 5%, NP0, 50V	5322	122	32531
2518	100pF., 5%, NP0, 50V	5322	122	32531
2519	100pF., 5%, NP0, 50V	5322	122	32531
2520	100pF., 5%, NP0, 50V	5322	122	32531
2521	100pF., 5%, NP0, 50V	5322	122	32531
2522	100pF., 5%, NP0, 50V	5322	122	32531
2525	100pF., 5%, NP0, 50V	5322	122	32531
2526	100pF., 5%, NP0, 50V	5322	122	32531
2527	47uF., 20%, 50V	4822	124	41751
2528	47uF., 20%, 50V	4822	124	41751
2529	100nF., Y5V 50V, +80-20%	4822	126	13838
2530	100nF., Y5V 50V, +80-20%	4822	126	13838
2531	220nF., 5%, 63V	4822	121	42408

S = Safety Part Be sure to use exact replacement part.

2532	220nF., 5%, 63V.	4822	121	42408	2639	47uF., 20%, 50V.	4822	124	41751
2533	22uF., 50V	4822	124	81151	2641	1uF., 20%, 63V	4822	124	21913
2534	22uF., 50V	4822	124	81151	2642	1uF., 20%, 63V	4822	124	21913
2535	22uF., 50V	4822	124	81151	2643	1uF., 20%, 63V	4822	124	21913
2536	22uF., 50V	4822	124	81151	2644	1uF., 20%, 63V	4822	124	21913
2537	22uF., 50V	4822	124	81151	2645	1uF., 20%, 63V	4822	124	21913
2538	22uF., 50V	4822	124	81151	2646	1uF., 20%, 63V	4822	124	21913
2539	100uF., 20%, 25V	4822	124	40207	2647	1uF., 20%, 63V	4822	124	21913
2540	47uF., 20%, 25V	4822	124	40433	2648	1uF., 20%, 63V	4822	124	21913
2541	10uF., 20%, 63V	4822	124	40248	2649	1uF., 20%, 63V	4822	124	21913
2542	10uF., 20%, 63V	4822	124	40248	2650	1uF., 20%, 63V	4822	124	21913
2543	220uF., 20%, 6.3V.	4822	124	11912	2651	1uF., 20%, 63V	4822	124	21913
2544	220uF., 20%, 6.3V.	4822	124	11912	2652	1uF., 20%, 63V	4822	124	21913
2545	100pF., 5%, NP0, 50V	5322	122	32531	2655	1uF., 20%, 63V	4822	124	21913
2546	100pF., 5%, NP0, 50V	5322	122	32531	2656	1uF., 20%, 63V	4822	124	21913
2549	22pF., 5%, 50V	5322	122	32658	2657	1uF., 20%, 63V	4822	124	21913
2550	22pF., 5%, 50V	5322	122	32658	2658	1uF., 20%, 63V	4822	124	21913
2551	100nF., Y5V 50V, +80-20%	4822	126	13838	2659	2.2uF., 20%, 50V	4822	124	22652
2552	100nF., Y5V 50V, +80-20%	4822	126	13838	2660	2.2uF., 20%, 50V	4822	124	22652
2553	47uF., 20%, 50V	4822	124	41751	2661	2.2uF., 20%, 50V	4822	124	22652
2554	47uF., 20%, 50V	4822	124	41751	2662	2.2uF., 20%, 50V	4822	124	22652
2555	100nF., Y5V 50V, +80-20%	4822	126	13838	2663	2.2uF., 20%, 50V	4822	124	22652
2556	100nF., Y5V 50V, +80-20%	4822	126	13838	2664	2.2uF., 20%, 50V	4822	124	22652
2557	47uF., 20%, 50V	4822	124	41751	2665	47nF., 5%, 250V	4822	121	43526
2558	47uF., 20%, 50V	4822	124	41751	2666	47nF., 5%, 250V	4822	121	43526
2559	33nF., 5%, 50V, X7R.	4822	126	12105	2667	47nF., 5%, 250V	4822	121	43526
2561	22uF., 100V	4822	124	40764	2668	47nF., 5%, 250V	4822	121	43526
2562	22uF., 100V	4822	124	40764	2669	47nF., 5%, 250V	4822	121	43526
2563	2200uF., 16V, 20%	4822	123	14025	2670	47nF., 5%, 250V	4822	121	43526
2564	2.2uF., 20%, 50V	4822	124	22652	2671	6.8nF., 10%, X7R, 63V	5322	122	31866
2565	2.2uF., 20%, 50V	4822	124	22652	2672	6.8nF., 10%, X7R, 63V	5322	122	31866
2566	2.2uF., 20%, 50V	4822	124	22652	2673	6.8nF., 10%, X7R, 63V	5322	122	31866
2567	4.7uF., 20%, 100V	4822	124	40769	2674	6.8nF., 10%, X7R, 63V	5322	122	31866
2568	4.7uF., 20%, 100V	4822	124	40769	2675	6.8nF., 10%, X7R, 63V	5322	122	31866
2569	100pF., 5%, NP0, 50V	5322	122	32531	2676	6.8nF., 10%, X7R, 63V	5322	122	31866
2570	100pF., 5%, NP0, 50V	5322	122	32531	2677	22nF., 10%, X7R, 63V	5322	122	32654
2571	10uF., 20%, 63V	4822	124	40248	2678	22nF., 10%, X7R, 63V	5322	122	32654
2572	10uF., 20%, 63V	4822	124	40248	2679	22nF., 10%, X7R, 63V	5322	122	32654
2573	220pF., 5%, NP0, 63V	4822	122	33575	2680	22nF., 10%, X7R, 63V	5322	122	32654
2574	220pF., 5%, NP0, 63V	4822	122	33575	2681	22nF., 10%, X7R, 63V	5322	122	32654
2575	10uF., 20%, 63V	4822	124	40248	2682	22nF., 10%, X7R, 63V	5322	122	32654
2576	10uF., 20%, 63V	4822	124	40248	2683	22nF., 10%, X7R, 63V	5322	122	32654
2577	10nF., 20%, X7R, 50V	4822	122	33177	2684	22nF., 10%, X7R, 63V	5322	122	32654
2578	10nF., 20%, X7R, 50V	4822	122	33177	2685	22nF., 10%, X7R, 63V	5322	122	32654
2579	2.2nF., 10%, X7R, 63V	4822	122	33127	2686	22nF., 10%, X7R, 63V	5322	122	32654
2580	2.2nF., 10%, X7R, 63V	4822	122	33127	2687	22nF., 10%, X7R, 63V	5322	122	32654
2581	47uF., 20%, 50V	4822	124	41751	2688	22nF., 10%, X7R, 63V	5322	122	32654
2582	47uF., 20%, 50V	4822	124	41751	2689	68nF., 5%, 63V	5322	121	42465
2583	3.3nF., 10%, X7R, 63V	4822	122	33891	2690	68nF., 5%, 63V	5322	121	42465
2584	3.3nF., 10%, X7R, 63V	4822	122	33891	2691	68nF., 5%, 63V	5322	121	42465
2585	82pF., 1%, NP0, 63V	4822	126	13695	2692	68nF., 5%, 63V	5322	121	42465
2586	82pF., 1%, NP0, 63V	4822	126	13695	2693	68nF., 5%, 63V	5322	121	42465
2593	22uF., 50V	4822	124	81151	2694	68nF., 5%, 63V	5322	121	42465
2594	22uF., 50V	4822	124	81151	2695	68nF., 5%, 63V	5322	121	42465
2595	100pF., 5%, NP0, 50V	5322	122	32531	2696	68nF., 5%, 63V	5322	121	42465
2596	100pF., 5%, NP0, 50V	5322	122	32531	2697	68nF., 5%, 63V	5322	121	42465
2599	22pF., 5%, 50V	5322	122	32658	2698	68nF., 5%, 63V	5322	121	42465
2600	22pF., 5%, 50V	5322	122	32658	2699	68nF., 5%, 63V	5322	121	42465
2603	22uF., 50V	4822	124	81151	2700	68nF., 5%, 63V	5322	121	42465
2604	22uF., 50V	4822	124	81151	2801	10uF., 50V	4822	124	22833
2605	47pF., 1%, NP0, 63V	4822	126	13692	2802	10uF., 50V	4822	124	22833
2606	47pF., 1%, NP0, 63V	4822	126	13692	2803	10uF., 50V	4822	124	22833
2607	47uF., 20%, 50V	4822	124	41751	2804	10uF., 50V	4822	124	22833
2608	47uF., 20%, 50V	4822	124	41751	2805	100nF., 10%, X7R, 50V	4822	126	14585
2610	220pF., 5%, NP0, 63V	4822	122	33575	2806	100nF., 10%, X7R, 50V	4822	126	14585
2611	100uF., 20%, 25V	4822	124	40207	2807	100nF., 10%, X7R, 50V	4822	126	14585
2612	10uF., 20%, 63V	4822	124	40248	2809	10nF., 10%, X7R, 63V	5322	122	34098
2613	10uF., 20%, 63V	4822	124	40248	2810	220uF., 10V	4822	124	12245
2614	100uF., 20%, 25V	4822	124	40207	2811	10nF., 10%, X7R, 63V	5322	122	34098
2615	22nF., 10%, X7R, 63V	5322	122	32654	2812	220uF., 20%, 25V	4822	124	80144
2616	22nF., 10%, X7R, 63V	5322	122	32654	2813	1uF., 20%, 63V	4822	124	21913
2617	10uF., 20%, 63V	4822	124	40248	2814	47pF., 1%, NP0, 63V	4822	126	13692
2618	10uF., 20%, 63V	4822	124	40248	2815	100nF., 10%, X7R, 50V	4822	126	14585
2619	100pF., 5%, NP0, 50V	5322	122	32531	2816	22nF., 10%, X7R, 63V	5322	122	32654
2620	100pF., 5%, NP0, 50V	5322	122	32531	2817	1uF., 20%, 63V	4822	124	21913
2622	100pF., 5%, NP0, 50V	5322	122	32531	2818	22nF., 10%, X7R, 63V	5322	122	32654
2623	100pF., 5%, NP0, 50V	5322	122	32531	2821	22nF., 10%, X7R, 63V	5322	122	32654
2624	100pF., 5%, NP0, 50V	5322	122	32531	2822	22nF., 10%, X7R, 63V	5322	122	32654
2625	100pF., 5%, NP0, 50V	5322	122	32531	2831	100pF., 5%, NP0, 50V	5322	122	32531
2626	100pF., 5%, NP0, 50V	5322	122	32531	2832	100nF., 10%, X7R, 50V	4822	126	14585
2627	100pF., 5%, NP0, 50V	5322	122	32531	2833	22nF., 10%, X7R, 63V	5322	122	32654
2628	100nF., 10%, X7R, 50V	4822	126	14585	2834	100pF., 5%, NP0, 50V	5322	122	32531
2629	47uF., 20%, 50V	4822	124	41751	2835	100pF., 5%, NP0, 50V	5322	122	32531
2630	100nF., 5%, 63V	5322	121	42386	2836	100pF., 5%, NP0, 50V	5322	122	32531
2631	100nF., 5%, 63V	5322	121	42386	2837	100pF., 5%, NP0, 50V	5322	122	32531
2632	100nF., 5%, 63V	5322	121	42386	2851	22pF., 5%, 50V	5322	122	32658
2633	22nF., 10%, X7R, 63V	5322	122	32654	2852	22pF., 5%, 50V	5322	122	32658
2634	22nF., 10%, X7R, 63V	5322	122	32654	2853	22uF., 50V	4822	124	81151
2635	22nF., 10%, X7R, 63V	5322	122	32654	2854	22uF., 50V	4822	124	81151
2636	100nF., 10%, X7R, 50V	4822	126	14585	2855	100pF., 5%, NP0, 50V	5322	122	32531
2637	47uF., 20%, 50V	4822	124	41751	2856	100pF., 5%, NP0, 50V	5322	122	32531
2638	100nF., 10%, X7R, 50V	4822	126	14585	2857	100nF., 10%, X7R, 50V	4822	126	14585

2858	47uF., 20%, 50V.	4822 124 41751	3315	1.8K, 5%, 0.1W	4822 051 20182	
2860	47uF., 20%, 50V.	4822 124 41751	3316	4.7 Ohm, 1%, 0.6W.	4822 050 24708	
2861	22nF., 10%, X7R, 63V	5322 122 32654	3319	56K, 1%, 0.1W.	4822 117 11148	
2862	100pF., 5%, NP0, 50V	5322 122 32531	3322	56K, 1%, 0.1W.	4822 117 11148	
2863	100pF., 5%, NP0, 50V	5322 122 32531	S 3323	1.8K, 5%, 0.1W	4822 051 20182	
2864	100pF., 5%, NP0, 50V	5322 122 32531	3324	56K, 1%, 0.1W.	4822 117 11148	
2865	100pF., 5%, NP0, 50V	5322 122 32531	3326	33K, 5%, 0.1W.	4822 051 20333	
2866	100pF., 5%, NP0, 50V	5322 122 32531	3327	220 Ohm, 1%, 0.1W.	4822 117 11503	
2867	100pF., 5%, NP0, 50V	5322 122 32531	S 3328	47 Ohm, 5%, 0.33W.	4822 052 10479	
2868	220pF., 5%, NP0, 63V	4822 122 33575	3329	100K, 1%, 0.1W	4822 117 10837	
2869	220pF., 5%, NP0, 63V	4822 122 33575	3330	10K, 1%, 0.1W.	4822 117 10833	
2871	10nF., 20%, X7R, 50V	4822 122 33177	3334	1K, 2%, 0.25W.	4822 051 10102	
2872	10nF., 20%, X7R, 50V	4822 122 33177	3335	1K, 2%, 0.25W.	4822 051 10102	
2873	10nF., 20%, X7R, 50V	4822 122 33177	3336	1K, 2%, 0.25W.	4822 051 10102	
2875	10nF., 20%, X7R, 50V	4822 122 33177	S 3337	0.22 Ohm, 5%, 1W	4822 117 11744	
2876	10nF., 20%, X7R, 50V	4822 122 33177	S 3338	0.22 Ohm, 5%, 1W	4822 117 11744	
2877	100nF., 5%, 63V.	5322 121 42386	3339	1.5K, 1%, 0.1W	4822 117 11139	
2878	100nF., 5%, 63V.	5322 121 42386	3340	1.5K, 1%, 0.1W	4822 117 11139	
2879	100nF., 5%, 63V.	5322 121 42386	S 3341	0.22 Ohm, 5%, 1W	4822 117 11744	
2880	100nF., 5%, 63V.	5322 121 42386	S 3342	0.22 Ohm, 5%, 1W	4822 117 11744	
2881	100nF., 5%, 63V.	5322 121 42386	3343	1.5K, 1%, 0.1W	4822 117 11139	
2882	100nF., 5%, 63V.	5322 121 42386	S 3344	0.22 Ohm, 5%, 1W	4822 117 11744	
2883	1nF., 5%, NP0, 50V	5322 126 10511	S 3345	0.22 Ohm, 5%, 1W	4822 117 11744	
2884	1nF., 5%, NP0, 50V	5322 126 10511	S 3352	4.7 Ohm, 5%, 1W.	4822 053 10478	
2885	1nF., 5%, NP0, 50V	5322 126 10511	S 3353	4.7 Ohm, 5%, 1W.	4822 053 10478	
2886	1nF., 5%, NP0, 50V	5322 126 10511	S 3354	4.7 Ohm, 5%, 1W.	4822 053 10478	
2887	2.2nF., 10%, X7R, 63V.	4822 122 33127	3356	47K, 1%, 0.1W.	4822 117 10834	
2888	2.2nF., 10%, X7R, 63V.	4822 122 33127	3357	10K, 1%, 0.6W.	4822 050 21003	
2901	22uF., 50V	4822 124 81151	3358	1K, 2%, 0.25W.	4822 051 10102	
2902	10uF., 20%, 63V.	4822 124 40248	3359	100K, 1%, 0.1W	4822 117 10837	
2903	4.7pF., 5%, NP0, 50V	5322 122 32287	3360	10K, 1%, 0.1W.	4822 117 10833	
2904	47nF., 10%, X7R, 63V	4822 126 13751	3361	470 Ohm, 5%, 0.1W.	4822 051 20471	
2905	10uF., 20%, 63V.	4822 124 40248	3362	470 Ohm, 5%, 0.1W.	4822 051 20471	
2906	470pF., 10%, 50V	5322 122 32268	3363	470 Ohm, 5%, 0.1W.	4822 051 20471	
2908	220nF., 80-20%, 50V.	4822 126 13473	3501	15K, 1%, 0.1W.	4822 116 83933	
2909	4.7nF., 10%, X7R, 63V.	5322 126 10223	3502	15K, 1%, 0.1W.	4822 116 83933	
2910	220pF., 5%, NP0, 63V	4822 122 33575	3505	15K, 5%, 0.5W.	4822 116 52244	
2911	22nF., 10%, X7R, 63V	5322 122 32654	3506	15K, 5%, 0.5W.	4822 116 52244	
2912	100uF., 20%, 10V	4822 124 41584	3509	15K, 1%, 0.1W.	4822 116 83933	
2913	10uF., 20%, 63V.	4822 124 40248	3510	15K, 1%, 0.1W.	4822 116 83933	
2914	470pF., 10%, 50V	5322 122 32268	3511	100 Ohm, 5%, 0.1W.	4822 051 20101	
2916	220nF., 80-20%, 50V.	4822 126 13473	3512	100 Ohm, 5%, 0.1W.	4822 051 20101	
2917	4.7nF., 10%, X7R, 63V.	5322 126 10223	3513	47K, 1%, 0.1W.	4822 117 10834	
2918	220pF., 5%, NP0, 63V	4822 122 33575	3514	47K, 1%, 0.1W.	4822 117 10834	
2919	100uF., 20%, 10V	4822 124 41584	3515	470 Ohm, 5%, 0.1W.	4822 051 20471	
2920	220nF., 80-20%, 50V.	4822 126 13473	3516	470 Ohm, 5%, 0.1W.	4822 051 20471	
2921	220nF., 80-20%, 50V.	4822 126 13473	3517	39K, 5%, 0.1W.	4822 051 20393	
2922	4.7pF., 5%, NP0, 50V	5322 122 32287	3518	39K, 5%, 0.1W.	4822 051 20393	
2923	22uF., 50V	4822 124 81151	3519	8.2K, 5%, 0.1W	4822 051 20822	
2924	10uF., 20%, 63V.	4822 124 40248	3520	8.2K, 5%, 0.1W	4822 051 20822	
2925	220uF., 20%, 10V	4822 124 40181	3521	39K, 5%, 0.1W.	4822 051 20393	
2926	100nF., 10%, X7R, 50V.	4822 126 14585	3522	39K, 5%, 0.1W.	4822 051 20393	
2930	100pF., 5%, NP0, 50V	5322 122 32531	3523	8.2K, 5%, 0.1W	4822 051 20822	
2931	100pF., 5%, NP0, 50V	5322 122 32531	3524	8.2K, 5%, 0.1W	4822 051 20822	
2932	100pF., 5%, NP0, 50V	5322 122 32531	3525	39K, 5%, 0.1W.	4822 051 20393	
2933	100pF., 5%, NP0, 50V	5322 122 32531	3526	39K, 5%, 0.1W.	4822 051 20393	
2934	1nF., 5%, NP0, 50V	5322 126 10511	3527	8.2K, 5%, 0.1W	4822 051 20822	
2937	220pF., 5%, NP0, 63V	4822 122 33575	3528	8.2K, 5%, 0.1W	4822 051 20822	
RESISTORS				3529	470 Ohm, 5%, 0.1W.	4822 051 20471
3251	470 Ohm, 5%, 0.1W.	4822 051 20471	3530	470 Ohm, 5%, 0.1W.	4822 051 20471	
3252	100K, 1%, 0.1W	4822 117 10837	3531	39K, 5%, 0.1W.	4822 051 20393	
3253	100K, 1%, 0.1W	4822 117 10837	3532	39K, 5%, 0.1W.	4822 051 20393	
S 3254	0.33 Ohm, 5%, 2W	4822 117 11342	3533	8.2K, 5%, 0.1W	4822 051 20822	
3256	10K, 1%, 0.1W.	4822 117 10833	3534	8.2K, 5%, 0.1W	4822 051 20822	
S 3257	0.33 Ohm, 5%, 2W	4822 117 11342	3537	39K, 5%, 0.1W.	4822 051 20393	
3258	82K, 1%, 0.1W.	4822 117 11149	3538	39K, 5%, 0.1W.	4822 051 20393	
3259	680 Ohm, 1%, 0.1W.	4822 117 10361	3539	8.2K, 5%, 0.1W	4822 051 20822	
3260	47K, 1%, 0.1W.	4822 117 10834	3540	8.2K, 5%, 0.1W	4822 051 20822	
3263	680 Ohm, 1%, 0.1W.	4822 117 10361	3541	39K, 5%, 0.1W.	4822 051 20393	
3264	100K, 1%, 0.1W	4822 117 10837	3542	39K, 5%, 0.1W.	4822 051 20393	
3266	22K, 5%, 0.1W.	4822 051 20223	3543	2.7K, 1%, 0.1W, 0805	4822 117 12955	
3267	3.9K, 5%, 0.1W	4822 051 20392	3544	2.7K, 1%, 0.1W, 0805	4822 117 12955	
3268	3.3K, 5%, 0.1W	4822 051 20332	3545	10K, 1%, 0.1W.	4822 117 10833	
3269	3.3K, 5%, 0.1W	4822 051 20332	3546	10K, 1%, 0.1W.	4822 117 10833	
S 3270	47 Ohm, 5%, 0.33W.	4822 052 10479	3551	270 Ohm, 1%, 0.1W.	4822 117 11504	
S 3271	47 Ohm, 5%, 0.33W.	4822 052 10479	3552	270 Ohm, 1%, 0.1W.	4822 117 11504	
3272	39K, 5%, 0.1W.	4822 051 20393	3553	270 Ohm, 1%, 0.1W.	4822 117 11504	
S 3291	10 Ohm, 5%, 0.33W.	4822 052 10109	3554	270 Ohm, 1%, 0.1W.	4822 117 11504	
3292	15K, 1%, 0.1W.	4822 116 83933	3555	3.3K, 5%, 0.1W	4822 051 20332	
3293	10K, 1%, 0.1W.	4822 117 10833	3556	270 Ohm, 1%, 0.1W.	4822 117 11504	
3294	10K, 1%, 0.1W.	4822 117 10833	3557	270 Ohm, 1%, 0.1W.	4822 117 11504	
3295	15K, 1%, 0.1W.	4822 116 83933	3560	1K, 2%, 0.25W.	4822 051 10102	
S 3301	47 Ohm, 5%, 0.33W.	4822 052 10479	3561	4.7 Ohm, 5%, 0.33W	4822 052 10478	
3304	56K, 1%, 0.1W.	4822 117 11148	3562	470 Ohm, 5%, 0.1W.	4822 051 20471	
3305	47K, 1%, 0.1W.	4822 117 10834	3563	1K, 2%, 0.25W.	4822 051 10102	
3306	47K, 1%, 0.1W.	4822 117 10834	3566	270 Ohm, 5%, 0.5W.	4822 116 83876	
3307	47K, 1%, 0.1W.	4822 117 10834	3567	270 Ohm, 5%, 0.5W.	4822 116 83876	
3308	56K, 1%, 0.1W.	4822 117 11148	3571	330K, 5%, 0.1W	4822 051 20334	
3309	4.7 Ohm, 1%, 0.6W.	4822 050 24708	3572	330K, 5%, 0.1W	4822 051 20334	
3310	1.8K, 5%, 0.1W	4822 051 20182	3573	1K, 2%, 0.25W.	4822 051 10102	
3311	4.7 Ohm, 1%, 0.6W.	4822 050 24708	3574	1K, 2%, 0.25W.	4822 051 10102	
3314	56K, 1%, 0.1W.	4822 117 11148	3575	56K, 1%, 0.1W.	4822 117 11148	

S = Safety Part Be sure to use exact replacement part.

3576	56K, 1%, 0.1W	4822 117 11148	3682	100 Ohm, 5%, 0.1W	4822 051 20101
3577	560 Ohm, 5%, 0.1W	4822 051 20561	3683	47K, 1%, 0.1W	4822 117 10834
3578	560 Ohm, 5%, 0.1W	4822 051 20561	3684	47K, 1%, 0.1W	4822 117 10834
3579	390K, 5%, 0.1W	4822 051 20394	3685	2.2K, 1%, 0.1W	4822 117 11449
3580	390K, 5%, 0.1W	4822 051 20394	3686	2.2K, 1%, 0.1W	4822 117 11449
3581	27K, 5%, 0.1W	4822 051 20273	3687	100 Ohm, 5%, 0.1W	4822 051 20101
3582	27K, 5%, 0.1W	4822 051 20273	3688	100 Ohm, 5%, 0.1W	4822 051 20101
3583	10K, 1%, 0.1W	4822 117 10833	3689	2.2K, 1%, 0.1W	4822 117 11449
3584	10K, 1%, 0.1W	4822 117 10833	3690	2.2K, 1%, 0.1W	4822 117 11449
3585	1.5K, 1%, 0.1W	4822 117 11139	3691	2.2K, 5%, 0.5W	4822 116 52256
3586	1.5K, 1%, 0.1W	4822 117 11139	3692	2.2K, 1%, 0.1W	4822 117 11449
3587	3.9K, 5%, 0.1W	4822 051 20392	3693	2.2K, 1%, 0.1W	4822 117 11449
3588	3.9K, 5%, 0.5W	4822 116 52276	3694	2.2K, 5%, 0.5W	4822 116 52256
3589	10K, 1%, 0.1W	4822 117 10833	3695	220K 1%, 0.1W, RC12H	4822 117 13579
3590	10K, 1%, 0.1W	4822 117 10833	3696	10K, 1%, 0.1W	4822 117 10833
3591	100K, 1%, 0.1W	4822 117 10837	3697	22K, 5%, 0.5W	4822 116 52257
3592	100K, 1%, 0.1W	4822 117 10837	3698	220K 1%, 0.1W, RC12H	4822 117 13579
3593	4.7k, 5%, 0.1W	4822 051 20472	3699	10K, 1%, 0.1W	4822 117 10833
3594	4.7K, 5%, 0.1W	4822 051 20472	3700	22K, 5%, 0.1W	4822 051 20223
3595	4.7K, 5%, 0.1W	4822 051 20472	3801	68 Ohm, 1%, 0.1W	4822 117 12521
3596	4.7K, 5%, 0.1W	4822 051 20472	3802	68 Ohm, 1%, 0.1W	4822 117 12521
3597	5.6K, 5%, 0.5W	4822 116 52289	3803	68 Ohm, 1%, 0.1W	4822 117 12521
3598	5.6K, 5%, 0.5W	4822 116 52289	3804	68 Ohm, 1%, 0.1W	4822 117 12521
3601	100 Ohm, 5%, 0.1W	4822 051 20101	3805	1K, 2%, 0.25W	4822 051 10102
3602	100 Ohm, 5%, 0.1W	4822 051 20101	3806	1K, 2%, 0.25W	4822 051 10102
3603	100K, 1%, 0.1W	4822 117 10837	3809	10 Ohm, 5%, 0.1W	4822 051 20109
3604	100K, 1%, 0.1W	4822 117 10837	3810	2.2K, 1%, 0.1W	4822 117 11449
3605	12K, 1%, 0.1W	4822 117 11383	3811	10 Ohm, 5%, 0.1W	4822 051 20109
3606	12K, 1%, 0.1W	4822 117 11383	3812	470 Ohm, 5%, 0.1W	4822 051 20471
3607	33K, 5%, 0.1W	4822 051 20333	3813	120 Ohm, 5%, 0.1W	4822 051 20121
3608	33K, 5%, 0.1W	4822 051 20333	3814	10 Ohm, 5%, 0.1W	4822 051 20109
3609	120 Ohm, 5%, 0.1W	4822 051 20121	3815	68 Ohm, 1%, 0.1W	4822 117 12521
3610	120 Ohm, 5%, 0.1W	4822 051 20121	3816	68 Ohm, 1%, 0.1W	4822 117 12521
3611	47K, 1%, 0.1W	4822 117 10834	3817	270 Ohm, 1%, 0.1W	4822 117 11504
3612	47K, 1%, 0.1W	4822 117 10834	3818	220 Ohm, 1%, 0.1W	4822 117 11503
3613	470 Ohm, 5%, 0.1W	4822 051 20471	3819	10 Ohm, 5%, 0.1W	4822 051 20109
3614	470 Ohm, 5%, 0.1W	4822 051 20471	3820	100 Ohm, 5%, 1W	4822 053 10101
3615	470 Ohm, 5%, 0.1W	4822 051 20471	3821	100 Ohm, 5%, 1W	4822 053 10101
3616	470 Ohm, 5%, 0.1W	4822 051 20471	3831	100 Ohm, 5%, 0.1W	4822 051 20101
3618	47K, 1%, 0.1W	4822 117 10834	3832	47 Ohm, 5%, 0.1W	4822 051 20479
3619	47K, 1%, 0.1W	4822 117 10834	3834	100 Ohm, 5%, 0.1W	4822 051 20101
3620	100 Ohm, 5%, 0.5W	4822 116 52175	3851	3.3K, 5%, 0.1W	4822 051 20332
3621	100 Ohm, 5%, 0.1W	4822 051 20101	3852	22K, 5%, 0.1W	4822 051 20223
3622	120 Ohm, 5%, 0.1W	4822 051 20121	3853	10K, 1%, 0.1W	4822 117 10833
3623	120 Ohm, 5%, 0.1W	4822 051 20121	3854	4.7K, 5%, 0.1W	4822 051 20472
S 3627	10 Ohm, 5%, 0.33W	4822 052 10109	3855	270 Ohm, 5%, 0.5W	4822 116 83876
S 3629	10 Ohm, 5%, 0.33W	4822 052 10109	3856	270 Ohm, 1%, 0.1W	4822 117 11504
3630	1K, 1%, 0.4W	4822 050 11002	3857	100K, 1%, 0.1W	4822 117 10837
3631	1K, 1%, 0.4W	4822 050 11002	3858	100K, 1%, 0.1W	4822 117 10837
3632	1K, 1%, 0.4W	4822 050 11002	3859	10K, 1%, 0.1W	4822 117 10833
3633	1K, 2%, 0.25W	4822 051 10102	3860	10K, 1%, 0.1W	4822 117 10833
3634	1K, 2%, 0.25W	4822 051 10102	3871	3.3K, 5%, 0.1W	4822 051 20332
3635	1K, 2%, 0.25W	4822 051 10102	3872	3.3K, 5%, 0.1W	4822 051 20332
3636	470 Ohm, 5%, 0.1W	4822 051 20471	3873	1K, 2%, 0.25W	4822 051 10102
3637	470 Ohm, 5%, 0.1W	4822 051 20471	3874	1K, 2%, 0.25W	4822 051 10102
3641	100K, 1%, 0.1W	4822 117 10837	3875	3.3K, 5%, 0.1W	4822 051 20332
3642	100K, 1%, 0.1W	4822 117 10837	3877	1K, 2%, 0.25W	4822 051 10102
3643	100K, 1%, 0.1W	4822 117 10837	3878	1K, 2%, 0.25W	4822 051 10102
3644	100K, 1%, 0.1W	4822 117 10837	3879	3.3K, 5%, 0.1W	4822 051 20332
3645	56K, 1%, 0.1W	4822 117 11148	3880	3.3K, 5%, 0.1W	4822 051 20332
3646	56K, 1%, 0.1W	4822 117 11148	3881	1K, 2%, 0.25W	4822 051 10102
3649	100K, 1%, 0.1W	4822 117 10837	3882	1K, 2%, 0.25W	4822 051 10102
3650	100K, 1%, 0.1W	4822 117 10837	3883	12K, 1%, 0.1W	4822 117 11383
3651	56K, 1%, 0.1W	4822 117 11148	3884	12K, 1%, 0.1W	4822 117 11383
3652	56K, 1%, 0.1W	4822 117 11148	3885	12K, 1%, 0.1W	4822 117 11383
3655	100K, 1%, 0.1W	4822 117 10837	3886	12K, 1%, 0.1W	4822 117 11383
3656	100K, 1%, 0.1W	4822 117 10837	3887	12K, 1%, 0.1W	4822 117 11383
3657	56K, 1%, 0.1W	4822 117 11148	3888	12K, 1%, 0.1W	4822 117 11383
3658	56K, 1%, 0.1W	4822 117 11148	3889	2.2K, 1%, 0.1W	4822 117 11449
3659	2.7K, 1%, 0.1W, 0805	4822 117 12955	3890	2.2K, 1%, 0.1W	4822 117 11449
3660	2.7K, 1%, 0.1W, 0805	4822 117 12955	3891	8.2K, 5%, 0.1W	4822 051 20822
3661	5.6K, 5%, 0.1W, 0805	4822 051 20562	3892	8.2K, 5%, 0.1W	4822 051 20822
3662	5.6K, 5%, 0.1W, 0805	4822 051 20562	3893	8.2K, 5%, 0.1W	4822 051 20822
3663	2.7K, 1%, 0.1W, 0805	4822 117 12955	3895	8.2K, 5%, 0.1W	4822 051 20822
3664	2.7K, 1%, 0.1W, 0805	4822 117 12955	3896	8.2K, 5%, 0.1W	4822 051 20822
3665	5.6K, 5%, 0.1W, 0805	4822 051 20562	S 3901	47 Ohm, 5%, 0.33W	4822 052 10479
3666	5.6K, 5%, 0.1W, 0805	4822 051 20562	3902	56K, 1%, 0.1W	4822 117 11148
3667	2.7K, 1%, 0.1W, 0805	4822 117 12955	3903	47K, 1%, 0.1W	4822 117 10834
3668	2.7K, 1%, 0.1W, 0805	4822 117 12955	3904	47K, 5%, 0.5W	4822 116 83884
3669	5.6K, 5%, 0.1W, 0805	4822 051 20562	3905	4.7 Ohm, 1%, 0.6W	4822 050 24708
3670	5.6K, 5%, 0.1W, 0805	4822 051 20562	3906	56K, 1%, 0.1W	4822 117 11148
3671	47K, 1%, 0.1W	4822 117 10834	3908	1.8K, 5%, 0.1W	4822 051 20182
3672	47K, 1%, 0.1W	4822 117 10834	3910	4.7 Ohm, 1%, 0.6W	4822 050 24708
3673	2.2K, 1%, 0.1W	4822 117 11449	3911	56K, 1%, 0.1W	4822 117 11148
3674	2.2K, 1%, 0.1W	4822 117 11449	3913	1.8K, 5%, 0.1W	4822 051 20182
3675	100 Ohm, 5%, 0.1W	4822 051 20101	3914	56K, 1%, 0.1W	4822 117 11148
3676	100 Ohm, 5%, 0.1W	4822 051 20101	S 3915	47 Ohm, 5%, 0.33W	4822 052 10479
3677	47K, 1%, 0.1W	4822 117 10834	S 3916	4.7 Ohm, 5%, 1W	4822 053 10478
3678	47K, 1%, 0.1W	4822 117 10834	3917	33K, 1%, 0.6W	4822 050 23303
3679	2.2K, 1%, 0.1W	4822 117 11449	3918	220 Ohm, 1%, 0.1W	4822 117 11503
3680	2.2K, 1%, 0.1W	4822 117 11449	S 3919	4.7 Ohm, 5%, 1W	4822 053 10478
3681	100 Ohm, 5%, 0.1W	4822 051 20101	3920	100K, 1%, 0.1W	4822 117 10837

S = Safety Part Be sure to use exact replacement part.

3921	1K, 2%, 0.25W	4822	051	10102	4832	0 Ohm Jumper, (0805)	4822	051	20008
3922	1K, 2%, 0.25W	4822	051	10102	4835	0 Ohm Jumper, (0805)	4822	051	20008
3925	10K, 1%, 0.1W	4822	117	10833	4902	0 Ohm Jumper, (0805)	4822	051	20008
S 3926	0.22 Ohm, 5%, 1W	4822	117	11744	4903	0 Ohm Jumper, (0805)	4822	051	20008
S 3927	0.22 Ohm, 5%, 1W	4822	117	11744	4904	0 Ohm Jumper, (0805)	4822	051	20008
3928	1.5K, 1%, 0.1W	4822	117	11139	4905	0 Ohm Jumper, (0805)	4822	051	20008
3929	1.5K, 1%, 0.1W	4822	117	11139	4907	0 Ohm Jumper, (0805)	4822	051	20008
S 3930	0.22 Ohm, 5%, 1W	4822	117	11744	4908	0 Ohm Jumper, (0805)	4822	051	20008
S 3931	0.22 Ohm, 5%, 1W	4822	117	11744	4909	0 Ohm Jumper, (0805)	4822	051	20008
3935	1K, 2%, 0.25W	4822	051	10102	4910	0 Ohm Jumper, (0805)	4822	051	20008
3936	100K, 1%, 0.1W	4822	117	10837	4914	0 Ohm Jumper, (0805)	4822	051	20008
3937	10K, 1%, 0.1W	4822	117	10833	4915	0 Ohm Jumper, (0805)	4822	051	20008
3938	2.2K, 1%, 0.1W	4822	117	11449	4916	0 Ohm Jumper, (0805)	4822	051	20008
3939	2.2K, 1%, 0.1W	4822	117	11449	4917	0 Ohm Jumper, (0805)	4822	051	20008
3940	220 Ohm, 1%, 0.1W	4822	117	11503	4918	0 Ohm Jumper, (0805)	4822	051	20008
3941	220 Ohm, 1%, 0.1W	4822	117	11503		SEMICONDUCTORS			
3943	10K, 1%, 0.1W	4822	117	10833	6251	Diode, D5SBA20	4822	130	82078
3944	220 Ohm, 1%, 0.1W	4822	117	11503	6257	Diode, 1N4003G	4822	130	31878
3945	220 Ohm, 1%, 0.1W	4822	117	11503	6258	Diode, 1N4003G	4822	130	31878
3946	470 Ohm, 5%, 0.1W	4822	051	20471	6259	Diode, 1N4003G	4822	130	31878
3947	470 Ohm, 5%, 0.1W	4822	051	20471	6260	IC, Regulator, L7812CP	4822	209	33575
3948	220 Ohm, 1%, 0.1W	4822	117	11503	6261	Diode, 1N4003G	4822	130	31878
3949	220 Ohm, 1%, 0.1W	4822	117	11503	6262	Diode, 1N4003G	4822	130	31878
3950	1.8K, 5%, 0.1W	4822	051	20182	6263	Diode, 1N4003G	4822	130	31878
3951	1.8K, 5%, 0.1W	4822	051	20182	6265	IC, Regulator, L7805CP	4822	209	31841
3952	100 Ohm, 5%, 0.1W	4822	051	20101	6267	IC, Regulator, L7805CP	4822	209	31841
3953	100 Ohm, 5%, 0.1W	4822	051	20101	6268	Diode, 1N4003G	4822	130	31878
3954	100 Ohm, 5%, 0.1W	4822	051	20101	6270	Diode, BZX79-B6V8	4822	130	34278
3955	100 Ohm, 5%, 0.1W	4822	051	20101	6271	Diode, 1N4148	4822	130	30621
3956	100K, 5%, 0.5W	4822	116	52234	6274	Diode, 1N4003G	4822	130	31878
4251	0 Ohm Jumper, (0805)	4822	051	20008	6275	Diode, 1N4003G	4822	130	31878
4252	0 Ohm Jumper, (0805)	4822	051	20008	6276	Diode, BZX79-B5V6	4822	130	34173
4254	0 Ohm Jumper, (0805)	4822	051	20008	6279	Diode, 1N4148	4822	130	30621
4255	0 Ohm Jumper, (0805)	4822	051	20008	6280	Diode, BZX79-B10	4822	130	61219
4256	0 Ohm Jumper, (0805)	4822	051	20008	6281	Diode, BZX79-B22	4822	130	34441
4257	0 Ohm Jumper, (0805)	4822	051	20008	6289	Diode, 1N4148	4822	130	30621
4258	0 Ohm Jumper, (0805)	4822	051	20008	6290	Diode, 1N4148	4822	130	30621
4260	0 Ohm Jumper, (0805)	4822	051	20008	6304	Diode, BZX79-B3V3	5322	130	31504
4283	0 Ohm Jumper, (0805)	4822	051	20008	6305	Diode, 1N4148	4822	130	30621
4284	0 Ohm Jumper, (0805)	4822	051	20008	6501	Diode, 1N4148	4822	130	30621
4285	0 Ohm Jumper, (0805)	4822	051	20008	6601	Diode, 1N4148	4822	130	30621
4287	0 Ohm Jumper, (0805)	4822	051	20008	6602	Diode, 1N4148	4822	130	30621
4320	0 Ohm Jumper, (0805)	4822	051	20008	6641	Diode, 1N4148	4822	130	30621
4506	0 Ohm Jumper, (0805)	4822	051	20008	6642	Diode, 1N4148	4822	130	30621
4513	0 Ohm Jumper, (0805)	4822	051	20008	6643	Diode, 1N4148	4822	130	30621
4514	0 Ohm Jumper, (0805)	4822	051	20008	6644	Diode, 1N4148	4822	130	30621
4515	0 Ohm Jumper, (0805)	4822	051	20008	6645	Diode, 1N4148	4822	130	30621
4516	0 Ohm Jumper, (0805)	4822	051	20008	6646	Diode, 1N4148	4822	130	30621
4517	0 Ohm Jumper, (0805)	4822	051	20008	6647	Diode, 1N4148	4822	130	30621
4518	0 Ohm Jumper, (0805)	4822	051	20008	6648	Diode, 1N4148	4822	130	30621
4519	0 Ohm Jumper, (0805)	4822	051	20008	6649	Diode, 1N4003G	4822	130	31878
4520	0 Ohm Jumper, (0805)	4822	051	20008	S 6650	Diode, BZX79-B10	4822	130	61219
4521	0 Ohm Jumper, (0805)	4822	051	20008	6801	Diode, BZX79-B6V8	4822	130	34278
4522	0 Ohm Jumper, (0805)	4822	051	20008	6802	Diode, BZX79-B6V8	4822	130	34278
4523	0 Ohm Jumper, (0805)	4822	051	20008	6803	Diode, BZX79-B6V8	4822	130	34278
4524	0 Ohm Jumper, (0805)	4822	051	20008	6804	Diode, BZX79-B6V8	4822	130	34278
4526	0 Ohm Jumper, (0805)	4822	051	20008	6805	Diode, BZX79-B6V8	4822	130	34278
4528	0 Ohm Jumper, (0805)	4822	051	20008	6806	Diode, BZX79-B6V8	4822	130	34278
4529	0 Ohm Jumper, (0805)	4822	051	20008	6807	Diode, BZX79-B6V8	4822	130	34278
4530	0 Ohm Jumper, (0805)	4822	051	20008	6808	Diode, BZX79-B6V8	4822	130	34278
4531	0 Ohm Jumper, (0805)	4822	051	20008	6809	Diode, 1N4148	4822	130	30621
4532	0 Ohm Jumper, (0805)	4822	051	20008	6810	Diode, BZX79-B5V1	4822	130	34233
4533	0 Ohm Jumper, (0805)	4822	051	20008	6811	Diode, BZX79-B8V2	4822	130	34382
4537	0 Ohm Jumper, (0805)	4822	051	20008	6831	Diode, 1N4148	4822	130	30621
4538	0 Ohm Jumper, (0805)	4822	051	20008	6832	Diode, 1N4148	4822	130	30621
4539	0 Ohm Jumper, (0805)	4822	051	20008	6905	Diode, BZX79-B15	4822	130	34281
4540	0 Ohm Jumper, (0805)	4822	051	20008	7253	Transistor, BC847B	4822	130	60511
4541	0 Ohm Jumper, (0805)	4822	051	20008	7255	Transistor, BC856B	4822	130	60373
4542	0 Ohm Jumper, (0805)	4822	051	20008	7256	Transistor, BC847B	4822	130	60511
4543	0 Ohm Jumper, (0805)	4822	051	20008	7257	Transistor, BC327-25	4822	130	41246
4544	0 Ohm Jumper, (0805)	4822	051	20008	7258	Transistor, BC327-25	4822	130	41246
4545	0 Ohm Jumper, (0805)	4822	051	20008	7259	Transistor, BC847B	4822	130	60511
4548	0 Ohm Jumper, (0805)	4822	051	20008	7260	Transistor, BC847B	4822	130	60511
4550	0 Ohm Jumper, (0805)	4822	051	20008	7261	Transistor, BC856B	4822	130	60373
4551	0 Ohm Jumper, (0805)	4822	051	20008	7301	IC, STK496-270	4822	209	17447
4552	0 Ohm Jumper, (0805)	4822	051	20008	7304	Transistor, BC847B	4822	130	60511
4553	0 Ohm Jumper, (0805)	4822	051	20008	7305	Transistor, BC847B	4822	130	60511
4555	0 Ohm Jumper, (0805)	4822	051	20008	7306	Transistor, BC847B	4822	130	60511
4556	0 Ohm Jumper, (0805)	4822	051	20008	7307	Transistor, BC847B	4822	130	60511
4557	0 Ohm Jumper, (0805)	4822	051	20008	7309	Transistor, BC856B	4822	130	60373
4558	0 Ohm Jumper, (0805)	4822	051	20008	7310	Transistor, BC847B	4822	130	60511
4559	0 Ohm Jumper, (0805)	4822	051	20008	7501	IC, LC7821	4822	209	72748
4560	0 Ohm Jumper, (0805)	4822	051	20008	7503	IC, NJM4560M	4822	209	83357
S 4563	1 Ohm, 5%,	4822	117	11151	7504	IC, NJM4560M	4822	209	83357
4564	0 Ohm Jumper, (0805)	4822	051	20008	7571	IC, NJM4560DD	4822	209	70157
4565	0 Ohm Jumper, (0805)	4822	051	20008	7572	IC, LC7821	4822	209	72748
4566	0 Ohm Jumper, (0805)	4822	051	20008	7601	IC, NJM4556MB	4822	209	31378
4642	0 Ohm Jumper, (0805)	4822	051	20008	7621	Transistor, BC817-40	4822	130	42615
4644	0 Ohm Jumper, (0805)	4822	051	20008	7622	Transistor, BC817-40	4822	130	42615
4651	0 Ohm Jumper, (0805)	4822	051	20008	7641	IC, TDA7437T	4822	209	17386
4652	0 Ohm Jumper, (0805)	4822	051	20008	7642	IC, TDA7437T	4822	209	17386
4653	0 Ohm Jumper, (0805)	4822	051	20008	7643	IC, TDA7437T	4822	209	17386

S = Safety Part Be sure to use exact replacement part.

7644	Transistor, BC337	4822	130	40855
7651	Transistor, BC817-40	4822	130	42615
7652	Transistor, BC817-40	4822	130	42615
7653	Transistor, BC817-40	4822	130	42615
7654	Transistor, BC817-40	4822	130	42615
7655	Transistor, BC817-40	4822	130	42615
7656	Transistor, BC817-40	4822	130	42615
7657	Transistor, BC856B	4822	130	60373
7658	Transistor, BC856B	4822	130	60373
7660	IC, NJM4560M	4822	209	83357
7661	Transistor, BC817-40	4822	130	42615
7662	Transistor, BC817-40	4822	130	42615
7801	Transistor, BC847B	4822	130	60511
S 7802	Transistor, BC557B	4822	130	44568
7803	IC, STV6401	4822	209	16886
7901	IC, STK496-070	4822	209	17385
7902	Transistor, BC847B	4822	130	60511
7903	Transistor, BC847B	4822	130	60511
7904	Transistor, BC847B	4822	130	60511
7908	Transistor, BC856B	4822	130	60373
7909	Transistor, BC847B	4822	130	60511
7910	Transistor, BD242BFP	9322	139	22687

EXPLODED VIEW PARTS

	EXPLODED VIEW PARTS			
1	FRONT CABINET ASM. FR965/17	3104	217	52930
2	BUTTON HINGE ASM. SURROUND	4822	410	12442
3	BUTTONS HINGE TUNER	4822	410	12435
4	BUTTON HINGE ASM. MENU	4822	410	12443
5	BUTTONS HINGE BASS TREBLE	4822	410	12436
6	BUTTONS EASY LINK	4822	410	12437
8	LIGHT GUIDE SURROUND	4822	380	10274
9	LIGHT GUIDE VIRTUAL/HALL	3104	214	38460
10	LIGHT GUIDE SELECTOR	4822	380	10277
11	ORN. PLATE ASM. FR960/01/17	3104	217	52450
12	RING KNOB, VOLUME	3104	217	52130
13	RING KNOB, SOURCE SELECTOR	3104	217	52140
14	WINDOW DISPLAY ASM. FR960/01/17	3104	217	52260
25	KNOB, VOLUME (BL)	4822	410	12438
26	KNOB, SOURCE SELECTOR	4822	410	12439
27	KNOB, MENU NAV (BL)	4822	410	12441
28	BADGE, PHILIPS	4822	459	10887
36	LEG, SILVER	4822	691	10773
38	LEG, SILVER	4822	691	10773
115	POWER ROD	4822	535	10638
116	POWER CAP.	4822	462	11176
117	BUSH	4822	532	60948
125	COVERPLATE	4822	442	01817
1001	FRONT DISPLAY PANEL	0000	0--	--
1002	MONO BOARD ASSEMBLY	0000	0--	--
1003	MULTI CHANNEL DECODING	3104	217	05750
1004	MAINS BOARD ASSEMBLY	0000	0--	--
1005	EC05 TUNER PANEL	0000	0--	--
S 5001	TRANSFORMER, FR965/17 5 X 50W	3104	218	31000
8002	FLEXIBLE FOIL, 15P 220MM	4822	320	12706
S 8020	MAINSCORD UL	3139	118	77230
AC01	HOME CINEMA SPEAKER 60W	3104	219	04220
AC02	HOME CINEMA CENTER SPEAKER 60W	3104	219	04200
AC03	SUBWOOFER FB201V/17	3104	219	03730
AC04	CORD SET, L/R BOX	4822	320	12719
AC05	CORD SET, CENTER SPEAKER	4822	320	12721
AC06	CORD SET, SURROUND SPEAKER	4822	320	12722
AC07	FM AERIAL, 300 Ohm	4822	320	11094
AC08	P50 ADAPTOR	4822	263	21206
AC09	AM ANTENNA FRAME	4822	303	50082
AC10	REMOTE CONTROL	3104	219	03770
AC11	ASSEMBLY CINCH/CINCH 1M	4822	321	61452
AC12	IFU MX960/37 (OWNER'S MANUAL)	3104	215	36260

S = Safety Part Be sure to use exact replacement part.